



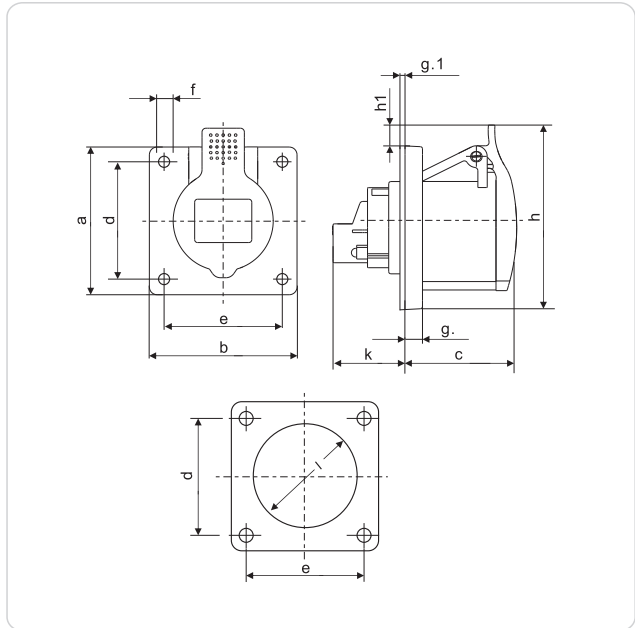
NOARCK

Conforme a estándares europeos/
internacionales EN/IEC 60309-2 IP44

TOMA EMBUTIR

CEE/IEC International Standard Panel Mounted Straight Socket

Conform to European / international standards EN/IEC 60309-2



Current	Poles	110V 50a.60Hz	230V 50a.60Hz	400V 50a.60Hz	500V 50a.60Hz	>50-500V 100-300Hz	>50-500V a.300-500Hz	packing unit	Weight										
		3 Pole 4 h	4 Pole 4 h	5 Pole 4 h	3 Pole 6 h	4 Pole 9 h	5 Pole 9 h			3 Pole 9 h	4 Pole 6 h	5 Pole 6 h	3 Pole 7 h	4 Pole 7 h	5 Pole 7 h	3 Pole 10 h	4 Pole 10 h	5 Pole 10 h	3 Pole 2 h

IP44 Panel Mounted Socket

MODEL

16	3	QX1628/QX1365	347018	QX1367		QX3054	Qx3055	10	130
	4	QX1388	QX1389	347024	QX1391	QX1392	QX1393	10	160
	5	QX1384	QX1386	347021	QX3057	QX3059	QX3060	10	183
32	3	QX1394	347019	QX1396				10	200
	4	QX1397	QX1398	347025	QX1400	QX1401	QX1402	10	210
	5	QX3449	QX3454	347022	QX3425	QX3455	QX3447	10	250
63	3	QX1260	347020	QX1262				5	525
	4	QX1246	QX1247	347026	QX1249			5	560
	5	QX1250	QX1251	347023				5	620

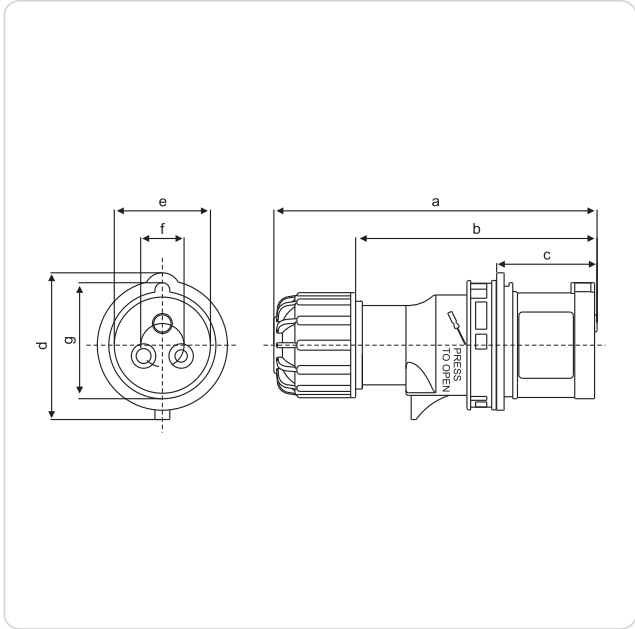
Parameter

size(mm)	16			16			32			32			63			63											
	Amp	16	16	Amp	16	16	Amp	32	32	Amp	32	32	Amp	63	63	Amp	63	63									
Poles	3	3	3	4	5	Poles	3	3	3	4	5	Poles	3	3	3	4	5	Poles	3	3	3	4	5				
a	55	65	75	75	75	h	75	75	84.6	90	94	a	75	75	75	h	96	96	102	a	107	107	107	h	113	113	113
b	55	65	75	75	75	h1	19	19	9.6	15	19.2	b	75	75	75	h1	20	20	21.4	b	100	100	100	h1	5.5	5.5	5.5
c	51	51	51	51.5	52	k	33	33	33	33	34	c	61	61	62	k	41	41	41.5	c	80	80	80	k	55	55	55
d	52	52	60	60	60	l	44	44	44	52	54.5	d	60	60	60	l	58	58	62	d	85	85	85	l	88	88	88
e	52	52	60	60	60	Conductor crosssectional area (mm ²) Min. To Max			e	60	60	60	Conductor crosssectional area (mm ²) Min. To Max			e	77	77	77	Conductor crosssectional area (mm ²) Min. To Max							
f	5.5	5.5	5.5	5.5	5.5	f	5.5	5.5	5.5	f	5.5	5.5	5.5	f	6.5	6.5	6.5										
g	8	8	8	8	8	1.5-2.5			g	8	8	8	4-6			g	12	12	12	10-16							
g.1	2	2	2	2	2	g.1	2	2	2	g.1	2	2	2	g.1	2	2	2										

CLAVIJA

CEE/IEC International Standard Plug

Conform to European / international standards EN/IEC 60309-2



Current	Poles	110V 50a.60Hz	230V 50a.60Hz	400V 50a.60Hz	500V 50a.60Hz	>50-500V 100-300Hz	>50-500V a. 300-500Hz	packing unit	Weight										
		3 Pole 4 h	4 Pole 4 h	5 Pole 4 h	3 Pole 6 h	4 Pole 9 h	5 Pole 9 h			3 Pole 9 h	4 Pole 6 h	5 Pole 6 h	3 Pole 7 h	4 Pole 7 h	5 Pole 7 h	3 Pole 10 h	4 Pole 10 h	5 Pole 10 h	3 Pole 2 h

IP44 CEE/IEC Plug 16A-63A

MODEL

Poles	16			32			63		
	QX-247	347009	QX-249	QX-253	QX-254	QX-255	QX-2189	QX-2341	QX-2178
3	QX-247	347009	QX-249	QX-253	QX-254	QX-255	QX-2189	QX-2341	QX-2178
4	QX-250	QX-251	347015	QX-2014	QX-2189	QX-2243	QX-2195	QX-2341	QX-2178
5	QX-256	QX-257	347012	QX-2014	QX-2189	QX-2243	QX-2195	QX-2341	QX-2178
3	QX-259	347010	QX-261	QX-2015	QX-2244	QX-2178			
4	QX-262	QX-263	347016	QX-2015	QX-2244	QX-2178			
5	QX-268	QX-269	347013	QX-2015	QX-2244	QX-2178			
3	QX-1226	347011	QX-1228						
4	QX-1229	QX-1230	347017	QX-1232					
5	QX-1233	QX-1234	347014						

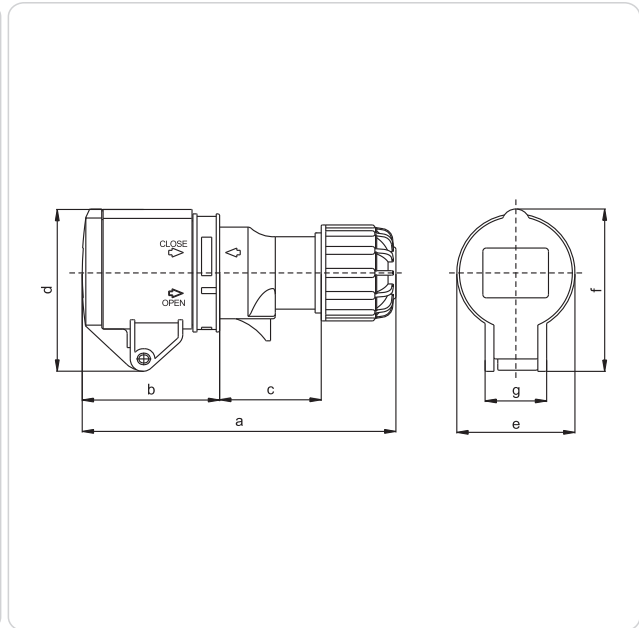
Parameter

size(mm)	16			16			32			32			63			63				
	Amp	3	4	5	Amp	3	4	5	Amp	3	4	5	Amp	3	4	5	Amp	3	4	5
a	128	132.5	139.5	Conductor crosssectional area (mm ²) Min. To Max			a	162	162	162	Conductor crosssectional area (mm ²) Min. To Max			a	215.5	215.5	215.5	Conductor crosssectional area (mm ²) Min. To Max		
b	95	99.5	106.5				b	125	125	125				b	160.5	160.5	160.5			
c	40	40	40	1.5-2.5			c	48.5	48.5	48.5	4-6			c	87.3	87.3	87.3	10-16		
d	59.2	66.3	76.3				d	81	81	89.5				d	96.7	96.7	96.7			
e	39	44	50				e	50.5	50.5	56.5				e	63	63	63			
f	17.5	21.6	26.6				f	25	25	30				f	36.5	36.5	36.5			
g	47	53.5	62				g	63	63	69.5				g	75.3	75.3	75.3			

ACOMPLAMIENTO

CEE/IEC International Standard Connector

Conform to European / international standards EN/IEC 60309-2



Current	Poles	110V 50a.60Hz			230V 50a.60Hz			400V 50a.60Hz			500V 50a.60Hz			>50-500V 100-300Hz			>50-500V a.300-500Hz			packing unit	Weight
		3 Pole 4 h	4 Pole 4 h	5 Pole 4 h	3 Pole 6 h	4 Pole 9 h	5 Pole 9 h	3 Pole 9 h	4 Pole 6 h	5 Pole 6 h	3 Pole 7 h	4 Pole 7 h	5 Pole 7 h	3 Pole 10 h	4 Pole 10 h	5 Pole 10 h	3 Pole 2 h	4 Pole 2 h	5 Pole 2 h		

IP44 CEE/IEC Connector 16A-63A

MODEL

	3	QX-509	347000	QX-511		QX-2441	QX-2517	10	161
16	4	QX-512	QX-513	347006	QX-515	QX-516	QX-517	10	172
	5	QX-518	QX-519	347003	QX-2026	QX-2193	QX-2495	10	194
	3	QX-521	347001	QX-523		QX-2196	QX-2674	10	221
32	4	QX-524	QX-525	347007	QX-527	QX-528	QX-529	10	264
	5	QX-530	QX-531	347004	QX-2027	QX-2245	QX-2493	10	305
	3	QX-1236	347002	QX-1238				5	573
63	4	QX-1239	QX-1240	347008	QX-1242			5	593
	5	QX-1243	QX-1244	347005				5	643

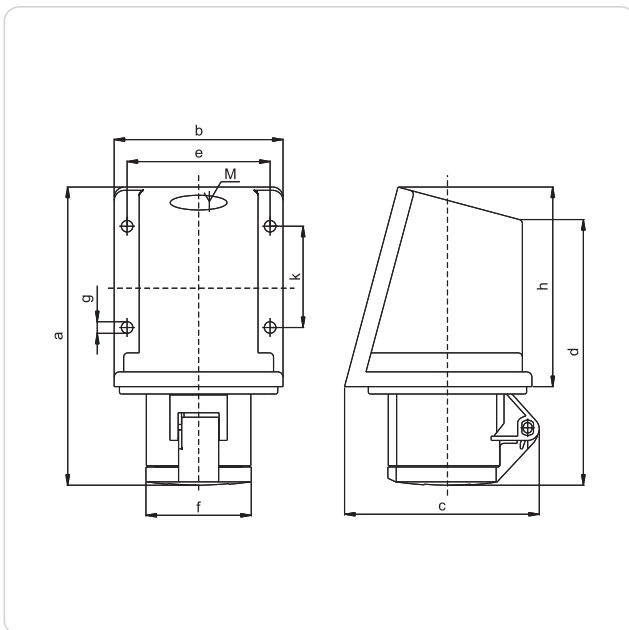
Parameter

size(mm)	16			16			32			32			63			63		
	Amp	Poles		Amp	Poles		Amp	Poles		Amp	Poles		Amp	Poles		Amp	Poles	
a	136	3	142.5	150	171	3	171	176	233.7	3	233.7	233.7	108.1	3	108.1	108.1	108.1	108.1
b	61	4	62	62	75	4	75	75	105.5	4	105.5	105.5	73.2	4	73.2	73.2	73.2	73.2
c	42.2	5	47.5	55	59	5	59	64	73.2	5	73.2	73.2	108.1	5	108.1	108.1	108.1	108.1
d	72		77	82.5	88.6		88.6	100.2	108.1		108.1	108.1	108.1		108.1	108.1	108.1	108.1
e	52.2		58.6	65.3	67.4		67.4	73.5	95.7		95.7	95.7	95.7		95.7	95.7	95.7	95.7
f	72		77	82.5	88.6		88.6	100.2	108.1		108.1	108.1	108.1		108.1	108.1	108.1	108.1
g	27.2		27.2	27.2	34.5		34.5	34.5	34		34	34	34		34	34	34	34

TOMA SOBREPONER

CEE/IEC International Standard Surface Mounted Socket

Conform to European / international standards EN/IEC 60309-2



Current	110V 50a.60Hz			230V 50a.60Hz			400V 50a.60Hz			500V 50a.60Hz			>50-500V 100-300Hz			>50-500V a.300-500Hz			packing unit	Weight
	3 Pole 4 h	4 Pole 4 h	5 Pole 4 h	3 Pole 6 h	4 Pole 9 h	5 Pole 9 h	3 Pole 9 h	4 Pole 6 h	5 Pole 6 h	3 Pole 7 h	4 Pole 7 h	5 Pole 7 h	3 Pole 10 h	4 Pole 10 h	5 Pole 10 h	3 Pole 2 h	4 Pole 2 h	5 Pole 2 h		

IP44 CEE/IEC Surface mounted socket 16A-63A

MODEL

	3	QX-100	347027	QX-102		QX-2169	QX-2241	10	178
16	4	QX-103	QX-104	347033	QX-106	QX-107	QX-108	6	202
	5	QX-109	QX-110	347030	QX-2000	QX-2188	QX-2199	10	225
	3	QX-1420	347028	QX-1422		QX-3139	QX-3134	10	231
32	4	QX-1423	QX-1424	347034	QX-1426	QX-1427	QX-1428	10	246
	5	QX-1555	QX-1556	347031	QX-3152	QX-3154	QX-3149	10	288
	3	QX-1136	347029	QX-1138				5	823
63	4	QX-1139	QX-1140	347035	QX-1142			5	854
	5	QX-1143	QX-1144	347032				5	897

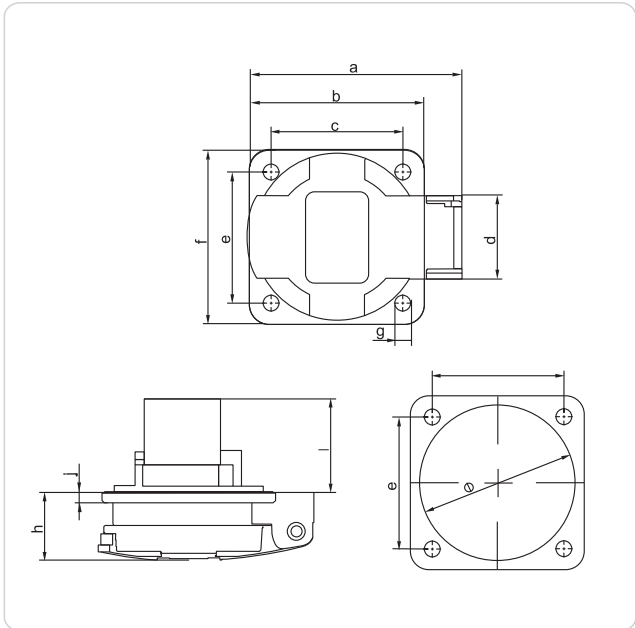
Parameter

size(mm)	16			16			32			32			63			63								
	Amp	3	4	5	Amp	3	4	5	Amp	3	4	5	Amp	3	4	5	Amp	3	4	5				
a	141.2	141.2	141.2	k	49.7	49.7	49.7	a	152.3	152.3	157.3	k	49.7	49.7	49.7	a	244.6	244.6	244.6	k	82.1	82.1	82.1	
b	80	80	80	M	25	25	25	b	80	80	80	M	25	25	25	b	108.8	108.8	108.8	M	40	40	40	
c	92.2	94.2	95.3	Conductor crosssectional area (mm ²)Min. To Max	1.5-2.5	e	67.7	67.7	67.7	4-6	e	96.5	96.5	96.5	10-16	c	115.7	115.7	115.7	Conductor crosssectional area (mm ²)Min. To Max	d	226.7	226.7	226.7
d	126	126	126														d	137	137			142	d	226.7
e	67.7	67.7	67.7	e	67.7	67.7	67.7	e	67.7	67.7	67.7	e	96.5	96.5	96.5									
f	50	56	63	f	65.4	65.4	71.5	f	65.4	65.4	71.5	f	97.5	97.5	97.5									
g	5.5	5.5	5.5	g	5.5	5.5	5.5	g	5.5	5.5	5.5	g	6.3	6.3	6.3									
h	94.5	94.5	94.5	h	94.5	94.5	94.5	h	94.5	94.5	94.5	h	139.4	139.4	139.4									

TOMA SCHUKO

CEE/IEC International Standard SCHUKO

Conform to European / international standards EN/IEC 60309-2



Color	Current	Voltage	clamping insertaccess	screw terminals	clamping insertaccess	screw terminals	packing unit	Weight
			SCHUKO Socket	SCHUKO Socket	French Socket	French Socket	Pcs	g/Pc

IP4 CEE/IEC Socket

MODEL

Gray	16	230	QX11010	QX11030		QX11180	60	50
Blue	16	230	QX11011	347036		QX11181	60	50
Black	16	230	QX11012	QX11032		QX11182	60	50
Red	16	230	QX11013	QX11033			60	50
White	16	230	QX110130	QX110330			60	50

Parameter

size(mm)	Amp	16	Amp	16
Poles	2		Poles	2
a	61		l	21.7
b	50		j	6.5
c	38		Φ	44.5
d	2.2			
e	38		Conductor crosssectional area (mm²) Min. To Max	
f	50		1	2
g	4.5			
h	23			