

FORBOX[®]

Enclosing Solutions



Get Familiar With FORBOX
Products Online:
www.forbox.net



Innovation-Quality-Global



INTRODUCTION

We are mainly dealing with low voltage electrical products for switchgear board and automation industry, such as panel filter and fans, panel heaters, thermostats and hygrometers, wiring accessories, etc. Through our decades' efforts and developments now LINKWELL become a group company with several factories by entirely holding or partly holding, not only self production but also few trading, in order to provide one-stop-solution for panel builders.

Our main markets are European countries, Americans and China market. You can find us in more than 60 countries all over the world, well-known with very good reputation in the market for the sake of our good quality and competitive prices, kind and prompt services to clients.

LINKWELL ELECTRIC policy is to offer a full support to Clients:

- pre-after sales assistance
- customized products
- fast delivery
- monitoring of customers' satisfaction

Rather than a supplier, LINKWELL ELECTRIC aims to be a Client's industrial PARTNER!

Our company always pays special attention to protecting the benefits of clients' so that both the clients and our company are able to gain the maximum benefits from the relations between us.

We warmly look forward to establishing, reinforcing and expanding long term fruitful relationship with the reliable clients all over the world.

Let's get busy and pull together to create a better future!



CONTENTS



High level plastic waterproof box *01-04*



Transparent contact protection window hood *05-16*



Junction /Aluminum boxes *17-25*



KE Universal Terminal *26-32*



1000V terminals *33-35*



Cable Glands Series *36-46*



WCT Wire connection *47-48*



Plastic waterproof box

Product characteristics

1. LK-AGS Junction box connecting bolt used injection molding method, when connected with the box has sufficient strength, will not rupture after fastening.
2. Designed four-sided sliding mode, can more effectively combat the impact.

IP Level:	IP 67
Impact Level:	IK 08
Temp. Range:	ABS : - 40 ~ + 70 Polycarbonate(PC) : - 40 ~ + 110
Flammability:	ABS : 94-HB Polycarbonate(PC) : 94-V-0, 5VA, HB



Terminal Connection

Carving/Printing/custom development services



◆Sculpt processing service

lizbox Inc.meet on customer's variety of request by a sophisticated hole processing technology on the basis of accumulated experience.

◆Silk-screen printing and letter sculpturing service

A vivid silk-screen printing and letter sculpturing service make your product outstanding.

◆Non-standard custom development services

According to customer needs, providing a variety of programs, the development of non-standard client



LK Series Plastic Enclosure(Screw type)

LK-AGS Model and Named Method

LK	-	A	G	S	-	50	65	55
Material	A-ABS P-PC/ABS C-PC							(H) Cover included
Cover Color	G Grey T Transparent						(L) Hinge, lock mounting surface	
Type	S-Bolt type P-SUS SUS Lock type H-SUS SUS Lock and Hinge type					(W)		

Material Differential	
ABS :	Acrylonitrile Butadiene Styrene
PC/ABS :	Polycarbonate + Acrylonitrile Butadiene Styrene
PC :	Polycarbonate
REMARK:	Transparent Grey

Identification:

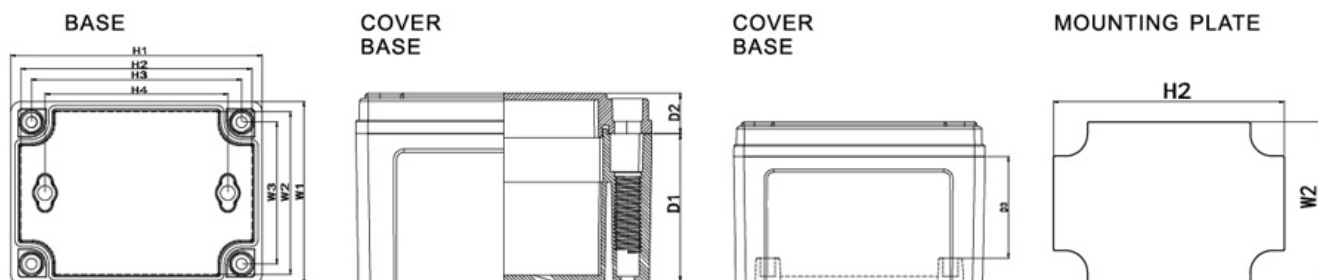
Type Designation: LK-UVW-XYZ series

(U=A.P.C. ; V=G.T. ; W=S X=05-20 ; Y= 06-20 ; W = 05-13)

Product model

Dimension(mm)	ABS	ABS/PC	PC	PC	Plate Model
W * L * H	Grey Cover	Transparent Cover	Grey Cover	Transparent Cover	Plastic
50*65*55	LK-AGS-060505	LK-PTS-060505	LK-CGS-060505	LK-CTS-060505	——
65*95*55	LK-AGS-090605	LK-PTS-090605	LK-CGS-090605	LK-CTS-090605	——
80*110*70	LK-AGS-110807	LK-PTS-110807	LK-CGS-110807	LK-CTS-110807	LK-0811P
80*110*85	LK-AGS-110808	LK-PTS-110808	LK-CGS-110808	LK-CTS-110808	LK-0811P
80*130*70	LK-AGS-130807	LK-PTS-130807	LK-CGS-130807	LK-CTS-130807	LK-0813P
80*130*85	LK-AGS-130808	LK-PTS-130808	LK-CGS-130808	LK-CTS-130808	LK-0813P
80*180*70	LK-AGS-180807	LK-PTS-180807	LK-CGS-180807	LK-CTS-180807	LK-0818P
80*250*70	LK-AGS-250807	LK-PTS-250807	LK-CGS-250807	LK-CTS-250807	LK-0825P
80*250*85	LK-AGS-250808	LK-PTS-250808	LK-CGS-250808	LK-CTS-250808	LK-0825P
100*100*75	LK-AGS-101007	LK-PTS-101007	LK-CGS-101007	LK-CTS-101007	LK-1010P
125*125*75	LK-AGS-121207	LK-PTS-121207	LK-CGS-121207	LK-CTS-121207	LK-1212P
125*125*100	LK-AGS-121210	LK-PTS-121210	LK-CGS-121210	LK-CTS-121210	LK-1212P
125*175*75	LK-AGS-171207	LK-PTS-171207	LK-CGS-171207	LK-CTS-171207	LK-1217P
125*175*100	LK-AGS-171210	LK-PTS-171210	LK-CGS-171210	LK-CTS171210	LK-1217P
140*170*95	LK-AGS-171409	LK-PTS-171409	LK-CGS-171409	LK-CTS-171409	LK-1417P
150*200*100	LK-AGS-201510	LK-PTS-201510	LK-CGS-201510	LK-CTS-201510	LK-1520P
150*200*130	LK-AGS-201513	LK-PTS-201513	LK-CGS-201513	LK-CTS-201513	LK-1520P
150*250*100	LK-AGS-251510	LK-PTS-251510	LK-CGS-251510	LK-CTS-251510	LK-1525P
150*250*130	LK-AGS-251513	LK-PTS-251513	LK-CGS-251513	LK-CTS-251513	LK-1525P
175*175*100	LK-AGS-171710	LK-PTS-171710	LK-CGS-171710	LK-CTS-171710	LK-1717P
200*200*100	LK-AGS-202010	LK-PTS-202010	LK-CGS-202010	LK-CTS-202010	LK-2020P
200*200*130	LK-AGS-202013	LK-PTS-202013	LK-CGS-202013	LK-CTS-202013	LK-2020P
190*280*130	LK-AGS-192813	LK-PTS-192813	LK-CGS-192813	LK-CTS-192813	LK-1928P

Installation size / applicable accessories



DIVISION SIZE	W1	W2	W3	H1	H2	H3	H4	D1	D2	D3
50X65X55	50	43	38	65	58	53	39.8	35	20	25.5
65X95X55	65	58	47	95	88	77	0	40	15	32.5
80X110X70	80	73	62	110	103	92	80	55	15	44.5
80X110X85	80	73	62	110	103	92	80	55	30	44.5
80X130X70	80	73	62	130	123	112	100	55	15	44.5
80X130X85	80	73	62	130	123	112	100	55	30	44.5
80X180X70	80	73	62	180	173	162	150	55	15	44.5
80X250X70	80	73	62	250	243	232	220	55	15	44.5
80X250X85	80	73	62	250	243	232	220	55	30	44.5
100X100X75	100	93	82	100	93	82	60	60	15	49.5
125X125X75	125	118	107	125	118	107	70	60	15	49.5
125X125X100	125	118	107	125	118	107	70	60	40	49.5
125X175X75	125	118	107	175	168	157	140	60	15	49.5
125X175X100	125	118	107	175	168	157	140	60	40	49.5
140X170X95	140	132	122	170	162	152	130	80	15	69
150X200X100	150	142	132	200	192	182	160	85	15	74
150X200X130	150	142	132	200	192	182	160	85	45	74
150X250X100	150	142	132	250	242	232	210	85	15	74
150X250X130	150	142	132	250	242	232	210	85	45	74
175X175X100	175	167	157	175	167	157	140	85	15	74
200X200X100	200	192	182	200	192	182	159.5	85	15	74
200X200X130	200	192	182	200	192	182	159.5	85	45	74

Accessories



Plastic Board
(ABS)



Hang (B40)



Plastic Hang
(PB40)



Screw Bolt
(Standard Supply ,CB40)



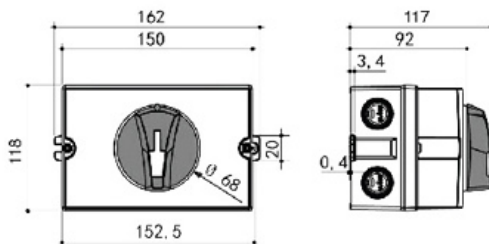
Screw

Disconnectors

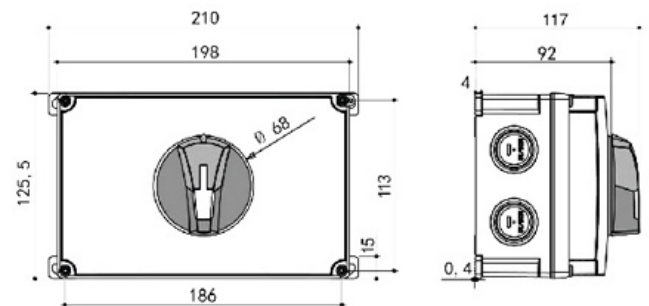
- Load isolation switch with 3-pole LK
- With neutral and earthing points
- 4 cable holes of M16
- 8 cable holes of M20/M25
- Polycarbonate boxbody
- Protection level IP65
- Can be added with an interpole
- Can be added with M type auxiliary contact module



Lk09 16-40A



Lk10 63-100A





Name of product	Capacity	Pole	Handle Color	Box Color
Empty Box	16...40	3	Black	Gray
	16...40	3	Red	Yellow
	63...80	3	Black	Gray
	63...80	3	Red	Yellow
With switch Box	16	3	Black	Gray
	16	3	Red	Yellow
	20	3	Black	Gray
	20	3	Red	Yellow
	25	3	Black	Gray
	25	3	Red	Yellow
	32	3	Black	Gray
	32	3	Red	Yellow
	40	3	Black	Gray
	40	3	Red	Yellow
	63	3	Black	Gray
	63	3	Red	Yellow
	80	3	Black	Gray
	80	3	Red	Yellow
	100	3	Black	Gray
	100	3	Red	Yellow

Transparent contact protection window hood

- It is applicable for special waterproof, dustproof and corrosion-proof locations
- Executive standard: IEC60529 IP54 IP67 EN60309

LK-4D Transparent contact protection window hood

LK4-D IP54



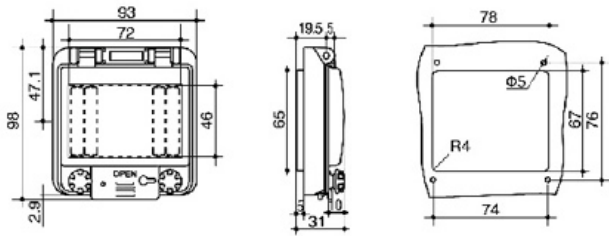
LK-4E Transparent contact protection window hood

LK4-E IP67

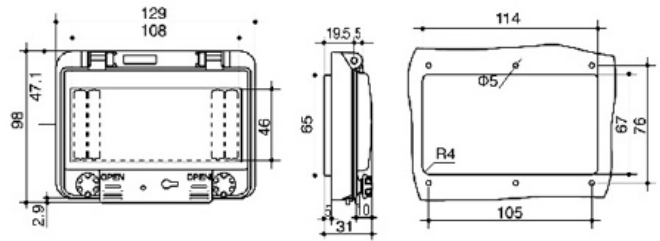


Transparent contact protection window hood

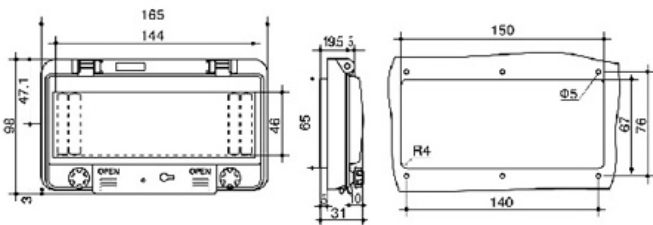
Outline dimension, mounting hole and hole position diagram of LK4-4B window product



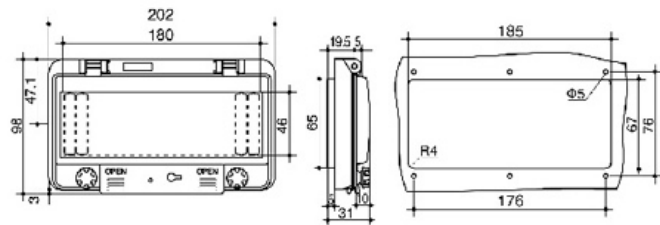
Outline dimension, mounting hole and hole position diagram of LK4-6B window product



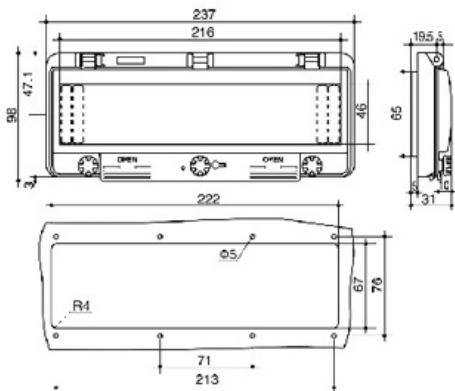
Outline dimension, mounting hole and hole position diagram of LK4-8B window product



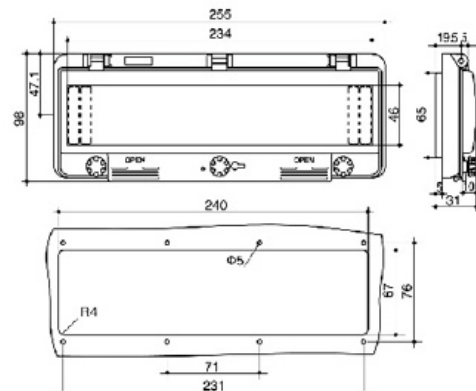
Outline dimension, mounting hole and hole position diagram of LK4-10B window product



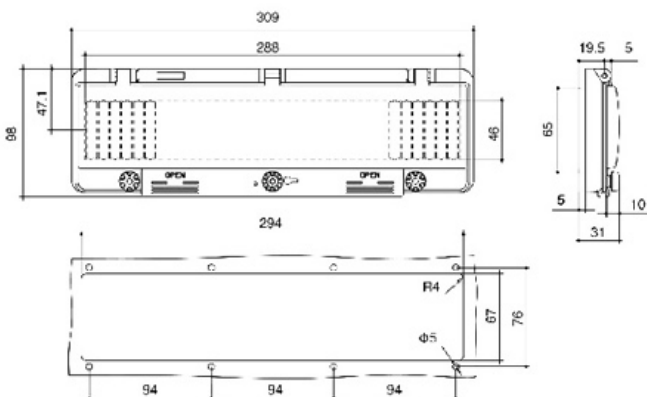
Outline dimension, mounting hole and hole position diagram of LK4-12B window product



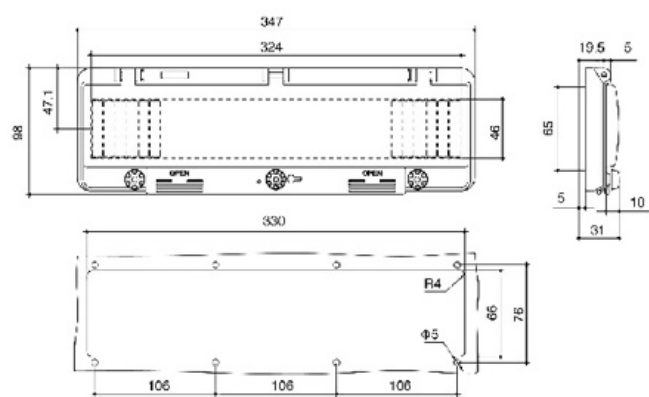
Outline dimension, mounting hole and hole position diagram of LK4-13B window product



Outline dimension, mounting hole and hole position diagram of LK4-16B window product

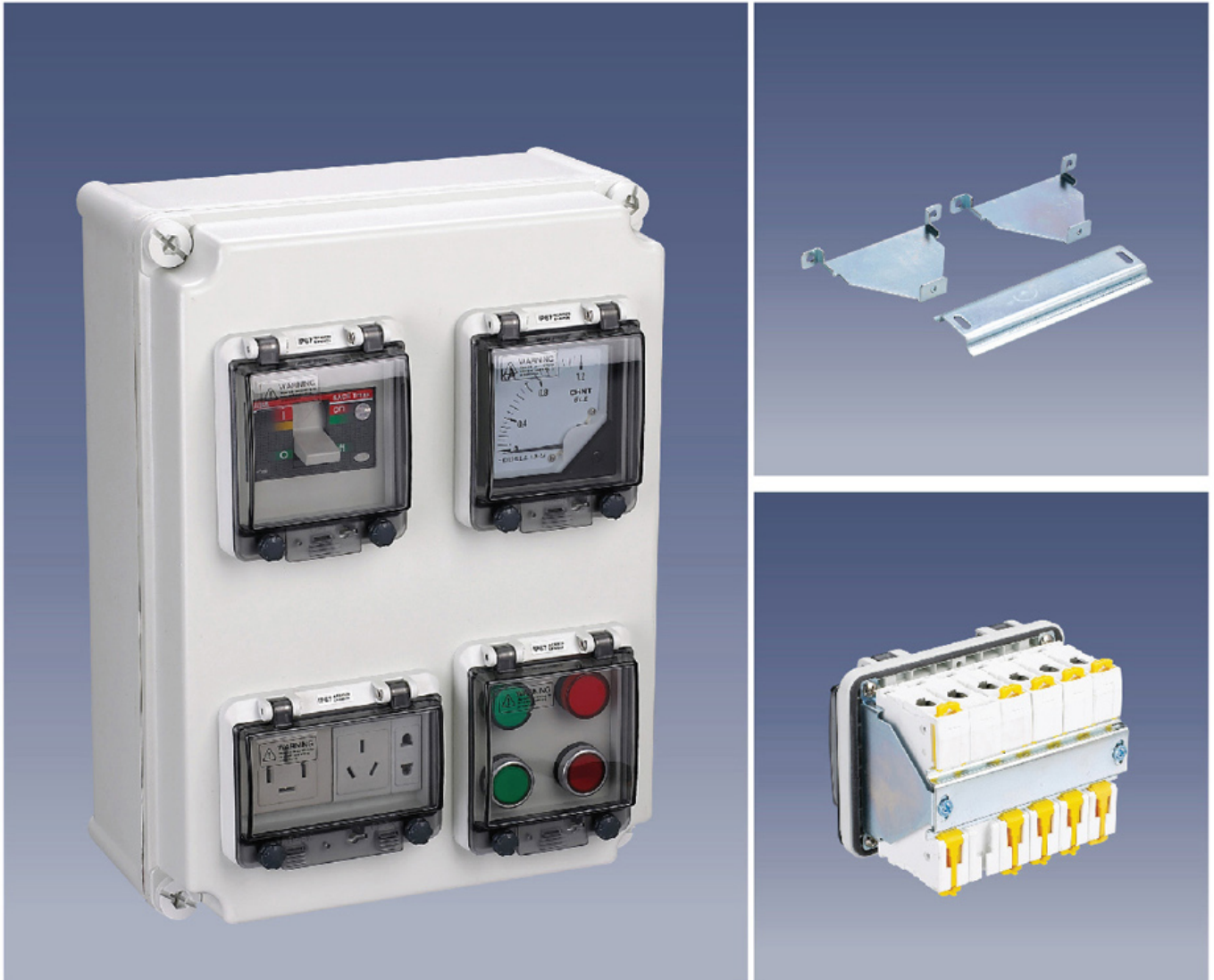


Outline dimension, mounting hole and hole position diagram of LK4-18B window product



Transparent contact protection window hood

- It is applicable for special waterproof, dustproof and corrosion-proof locations
- Executive standard: IEC60529 IP67 EN60309



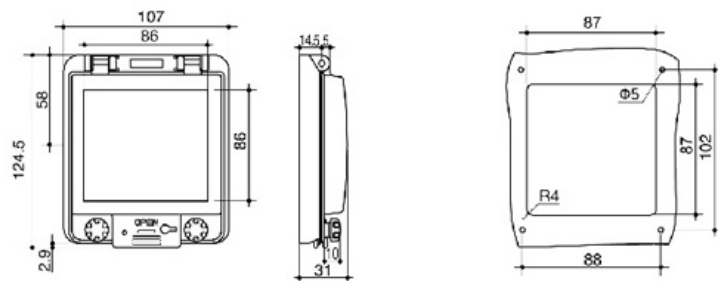
FORBOX®

Outline dimension, mounting hole and hole position diagram of LK4-5B window product

Order code 0405B



LK4-5B



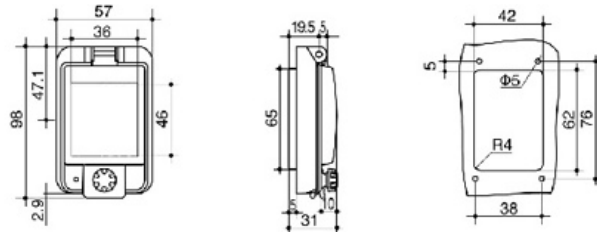
Transparent contact protection window hood



LK4-2B

Outline dimension, mounting hole and hole position diagram of LK4-2B window product

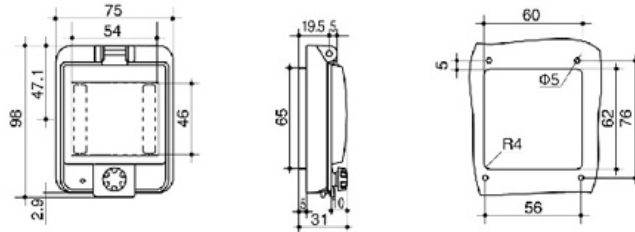
Order code 0402B



LK4-3B

Outline dimension, mounting hole and hole position diagram of LK4-3B window product

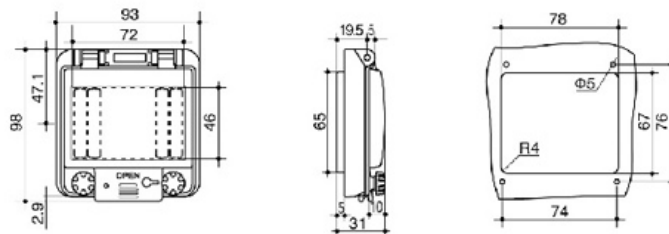
Order code 0403B



LK4-4B

Outline dimension, mounting hole and hole position diagram of LK4-4B window product

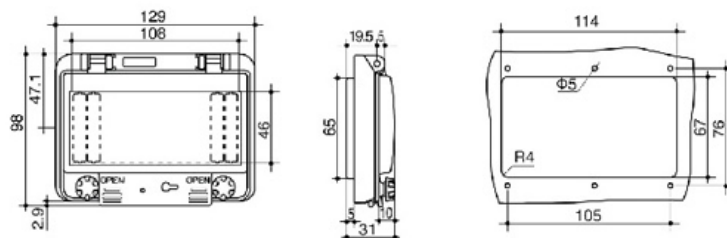
Order code 0404B



LK4-6B

Outline dimension, mounting hole and hole position diagram of LK4-6B window product

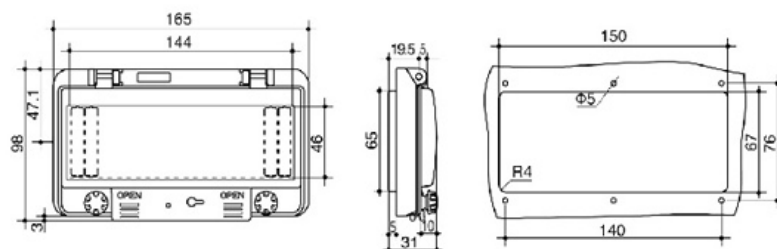
Order code 0406B



LK4-8B

Outline dimension, mounting hole and hole position diagram of LK4-8B window product

Order code 0408B



Transparent contact protection window hood

- It is applicable for special waterproof ,dustproof and corrosion-proof locations
- Executive standard: IEC60529 IP67 EN 60309



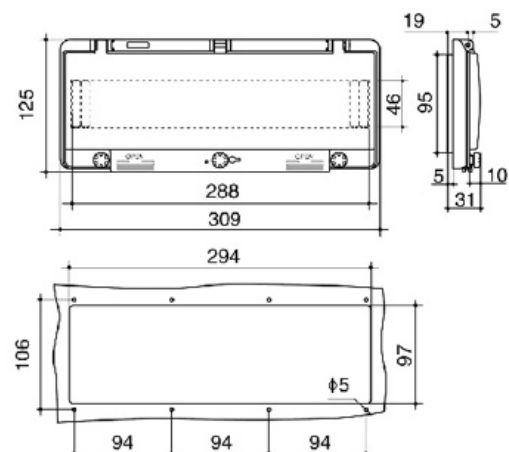
FORBOX®

Outline dimension, mounting hole and hole position diagram of LK4-16B window product

Order code 04168



LK4-16B



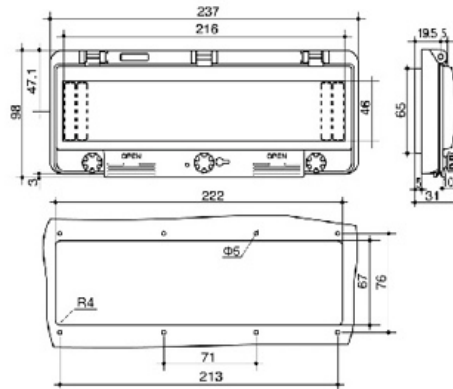
Transparent contact protection window hood

Outline dimension, mounting hole and hole position diagram of LK4-12B window product

Order code 0412B



LK4-12B

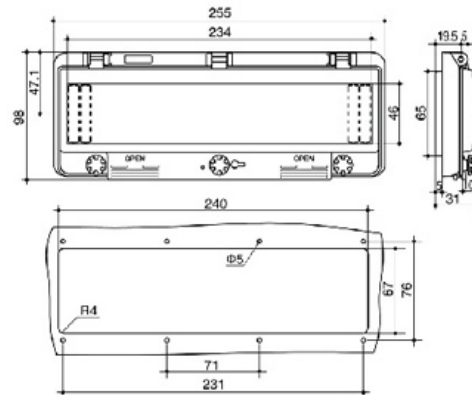


Outline dimension, mounting hole and hole position diagram of LK4-13B window product

Order code 0413B



LK4-13B

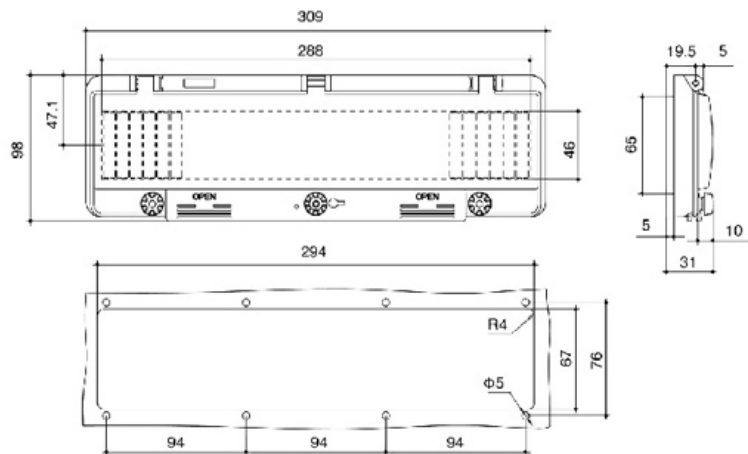


Outline dimension, mounting hole and hole position diagram of LK4-16A window product

Order code 0416A

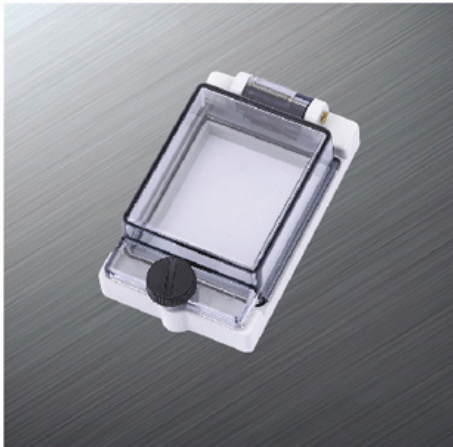


LK4-16A



Transparent contact protection window hood

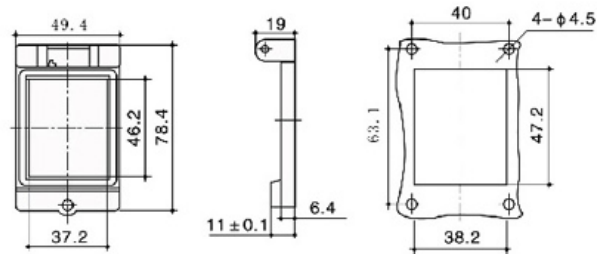
- It is applicable for special waterproof, dustproof and corrosion-proof locations
- Executive standard: IEC60529 IP67 EN60309



LK4-2

Outline dimension, mounting hole and hole position diagram of LK4-2 window product

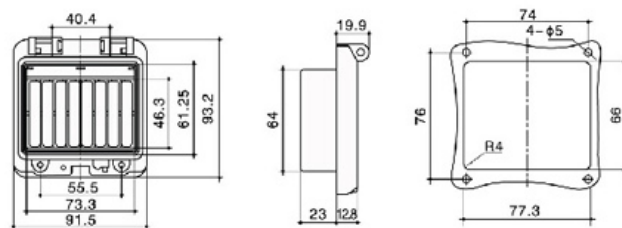
Order code 0402



LK4-4

Outline dimension, mounting hole and hole position diagram of LK4-4 window product

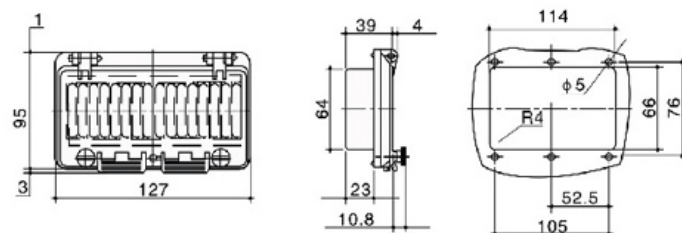
Order code 0404



LK4-6

Outline dimension, mounting hole and hole position diagram of LK4-6 window product

Order code 0406



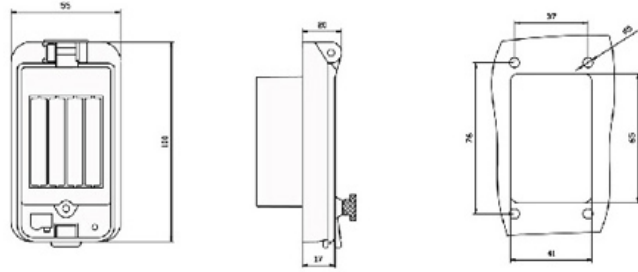
Transparent contact protection window hood



LK4-2A

Outline dimension, mounting hole and hole position diagram of LK4-2A window product

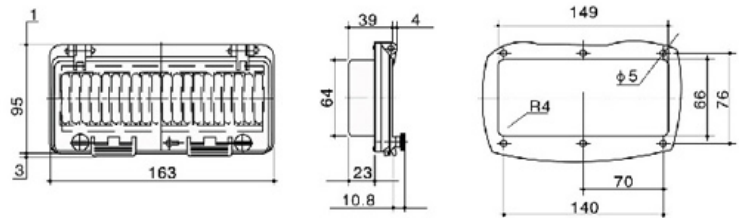
Order code 0402A



LK4-8

Outline dimension, mounting hole and hole position diagram of LK4-8 window product

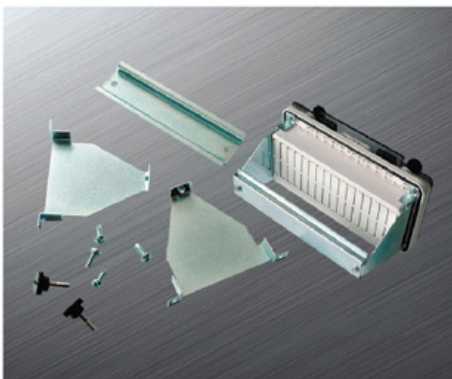
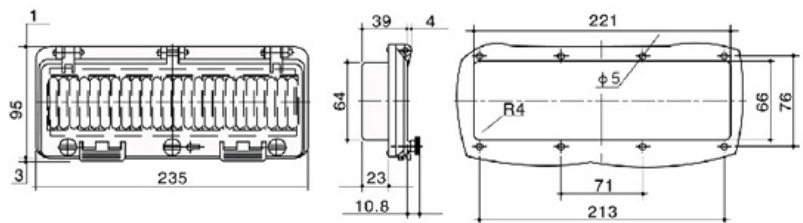
Order code 0408



LK4-12

Outline dimension, mounting hole and hole position diagram of LK4-12 window product

Order code 0412



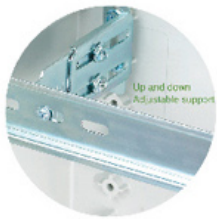
LK4-00

Product appurtenance

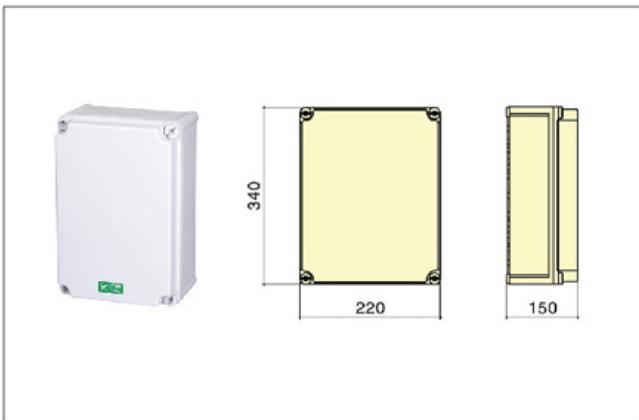
Order code 0400

European-style water-proof electric box

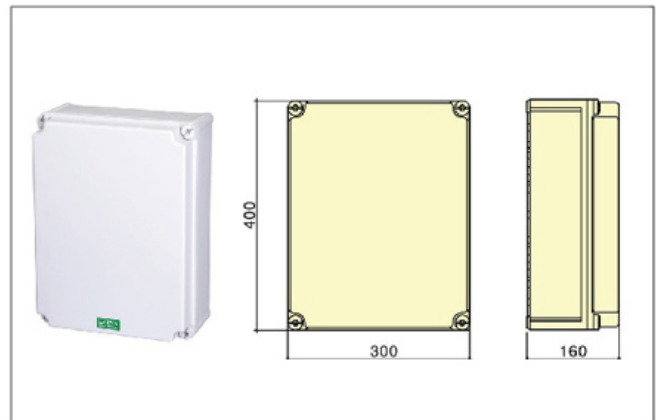
- Waterproof, dustproof, anticorrosion, high-strength insulation. Any opening is available according to the customers` demands, it is very complete in specification and convenient in installation.
- Executive standard: IEC60529 IP65 EN60309



LK???



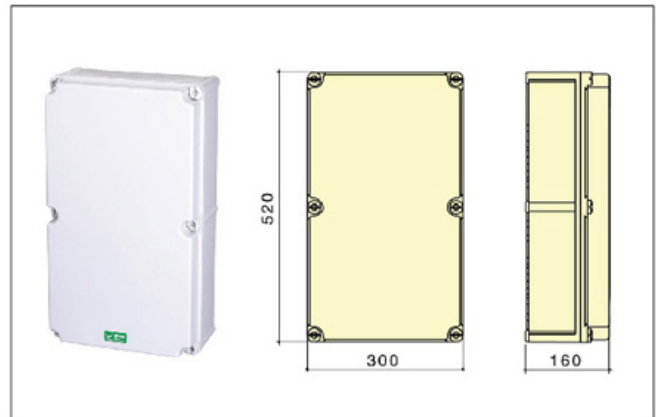
LK???



LK???

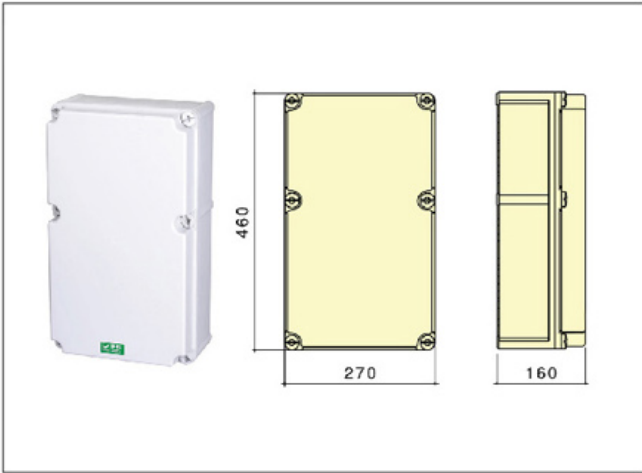


LK???

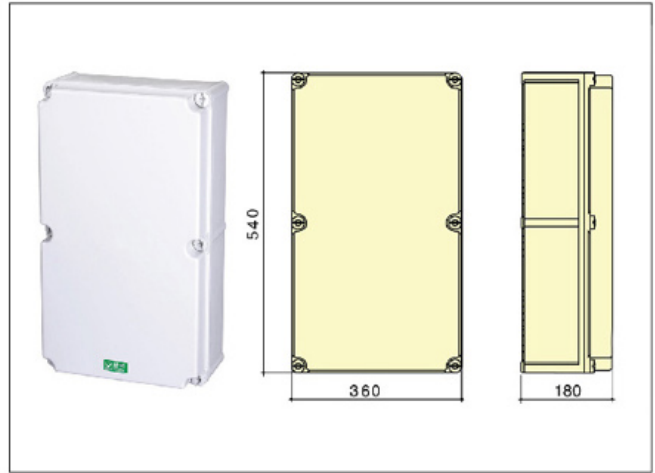


Transparent contact protection window hood

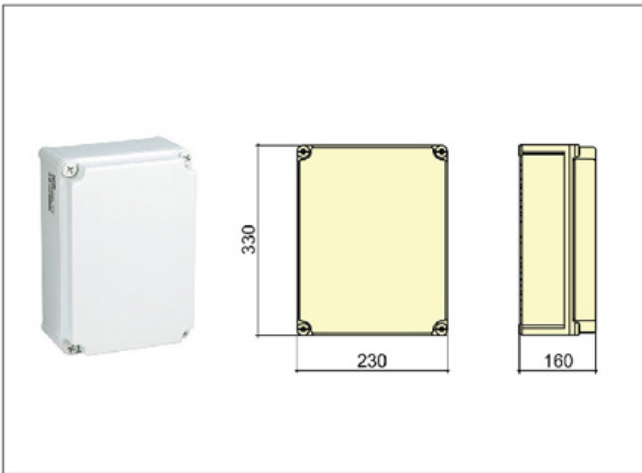
LK???



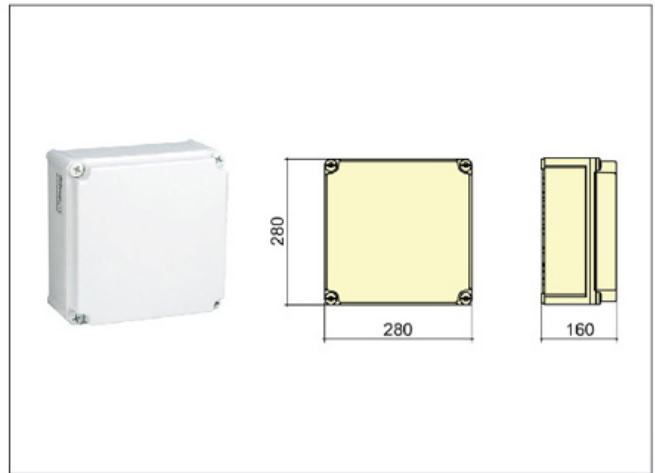
LK???



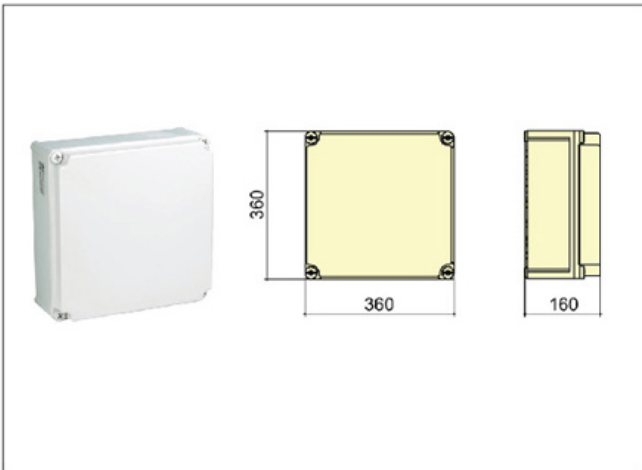
LK???



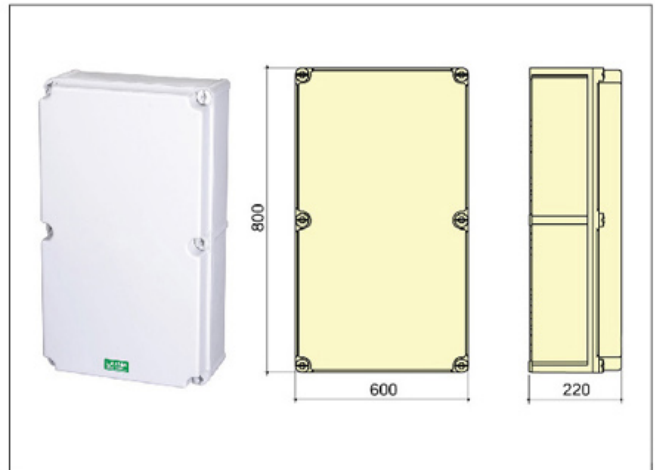
LK???



LK???



LK???





Description:

PC materials;

Widely used in various industries, for such equipment as halfway junction boxes, terminals and miniature electro-mechanical instruments, communication contact boxes, etc;

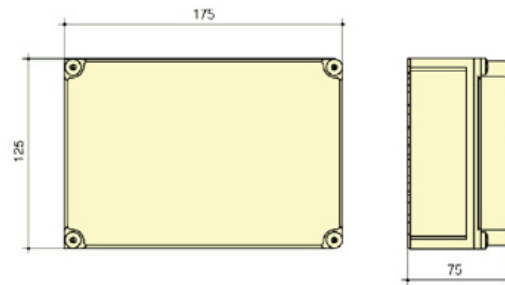
Reasonable price and easy operation;

Color: milk white.

LK 171275-10/15P



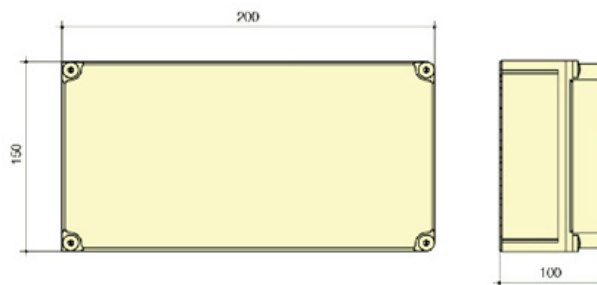
Outline Dimension : 175x125x75mm



LK 201510-15/20P

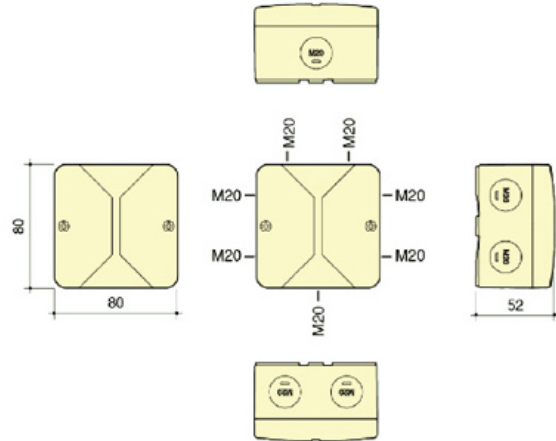


Outline Dimension : 200x150x100mm



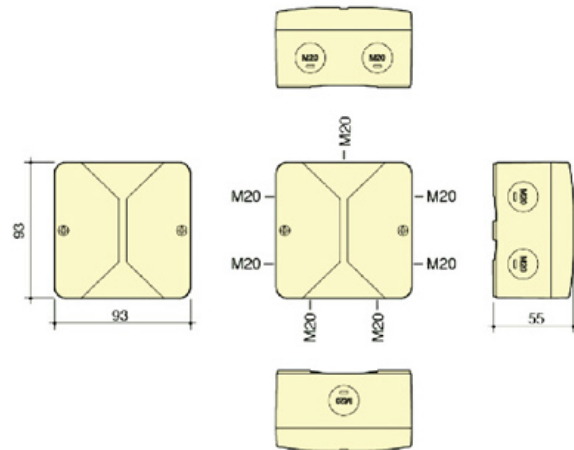
LK 808052

Outline Dimension : 80x80x52mm



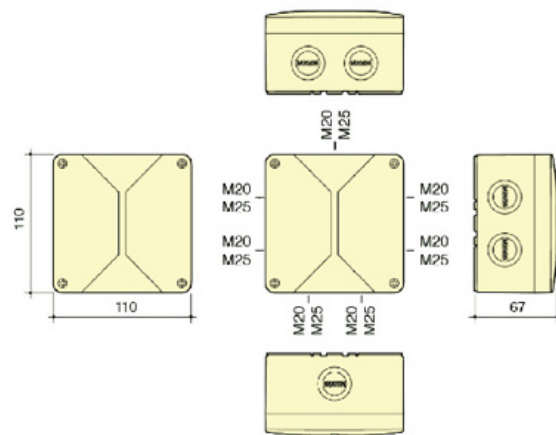
LK 939355

Outline Dimension : 93x93x55mm



LK 111167

Outline Dimension : 110x110x67mm

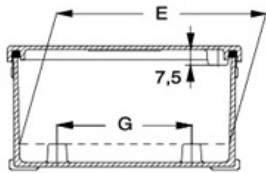




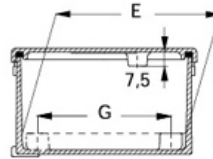
Part No.	R	S	T
KPA9	86	80	6
KPA11	100	120	6
KPA12	125	144	6.5
KPA13	149	168	6.5
KPA14	196	226	9
KPA15	236	275	9
KPA16	283	367	9

ALUMINUM ALLOY EXPLOSION PROOF JUNCTION BOX SERIES

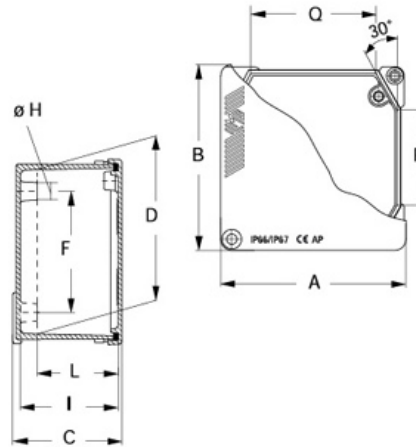
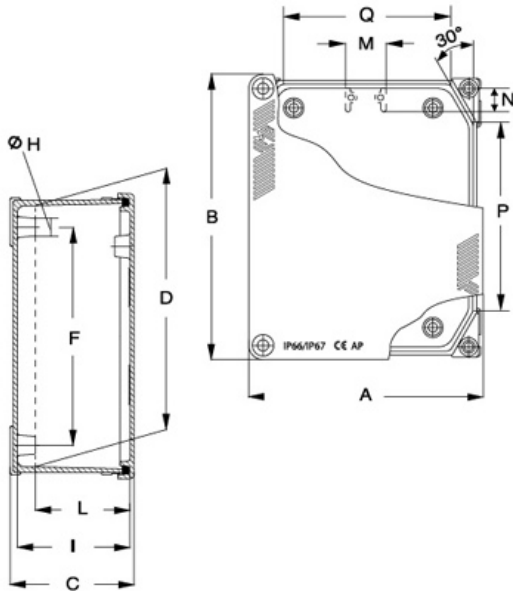
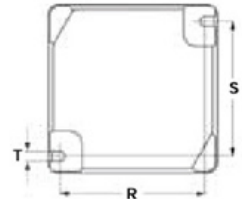
KPA. 11/12/13/14/15/16



KPA. 9



KPA. 9



KPA9

KPA11

KPA12

KPA13

KPA14

KPA15

KPA16

Part No.	A	B	C	D	E	F	G	H	I	L	M	N	P	Q
KPA9	100	100	59	88	88	66	70.5	10	53	44	-	-	48	65
KPA11	115	140	61	128	103	107	66	10	55	46	-	-	90	81
KPA12	141	166	64	153	128	121	99	12.5	58	49	-	-	104	100
KPA13	168	192	80	176	152	153	113	10	74	65	-	-	128	125
KPA14	217	253	93	236	201	188	153	12.5	85	75	38	21	169	162
KPA15	264	314	122	292	243	238	198	12.5	114	106	49	24	203	192
KPA16	315	410	150	386	291	333	248	12.5	141	126	61	31	295	245



DIN rail
Terminal block



Cable gland



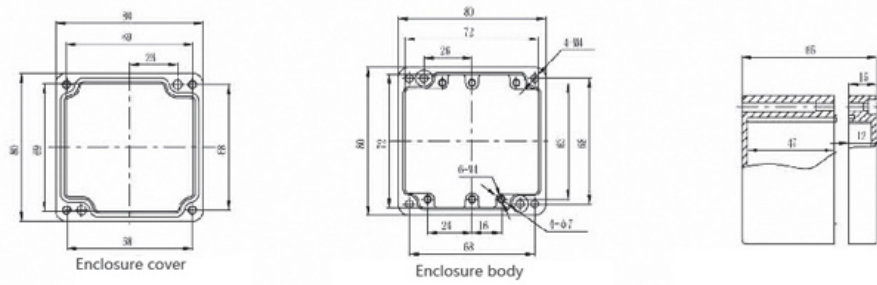
Mounting plate



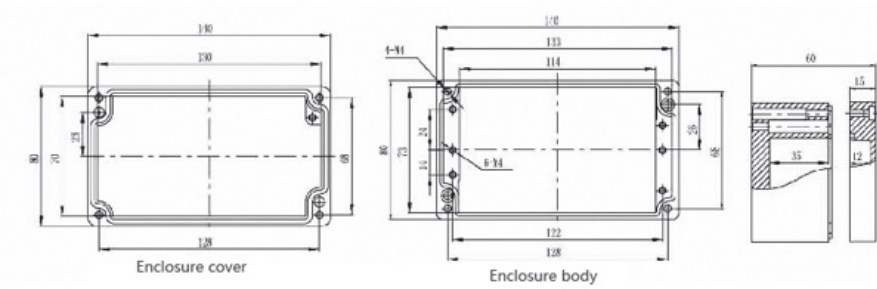
Invisible hinge
Earthing part

No.	Code No.	Model No.	L(mm)	W(mm)	D(mm)
1	510.080807	LK080807	80	80	65
2	510.140806	LK140806	140	80	60
3	510.161007	LK161007	160	100	70
4	510.161609	LK161609	160	160	90
5	510.221208	LK221208	220	120	80
6	510.261609	LK261609	260	160	90
7	510.271509	LK271509	270	150	90
8	510.282311	LK282311	280	230	110
9	510.332312	LK332312	330	230	120
10	510.402311	LK402311	400	230	110

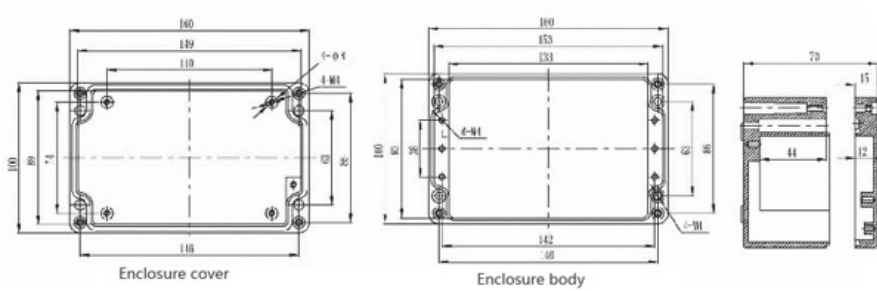
LK080807



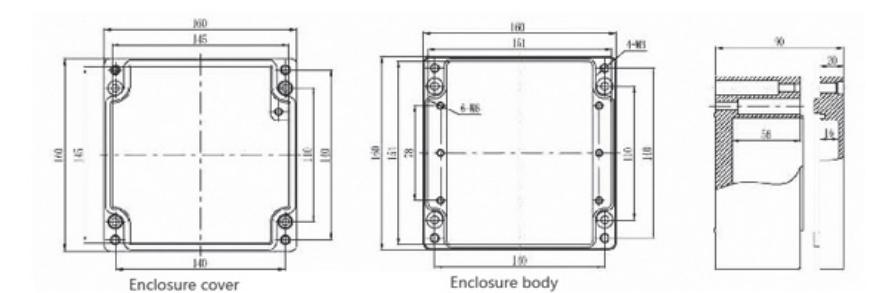
LK140806



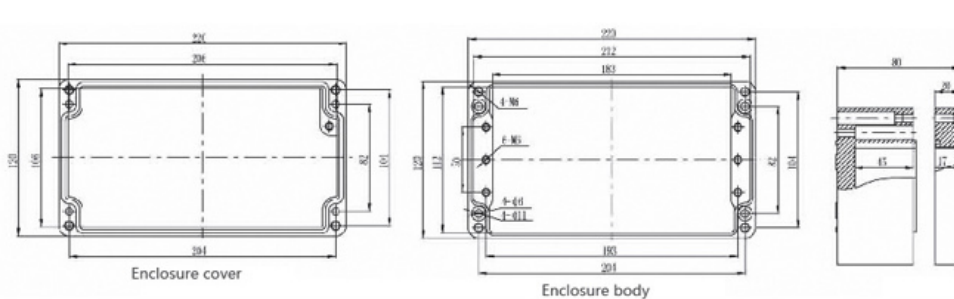
LK161007



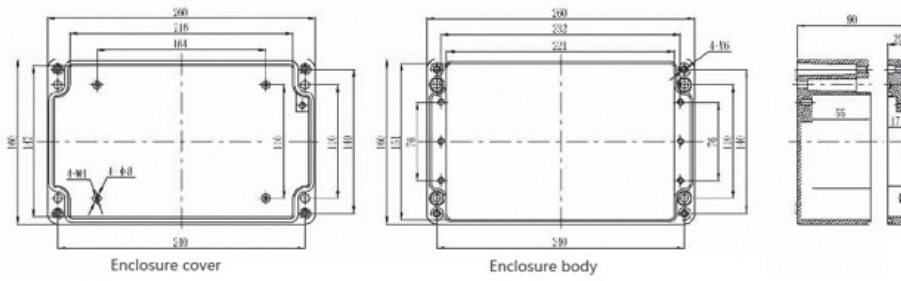
LK161609



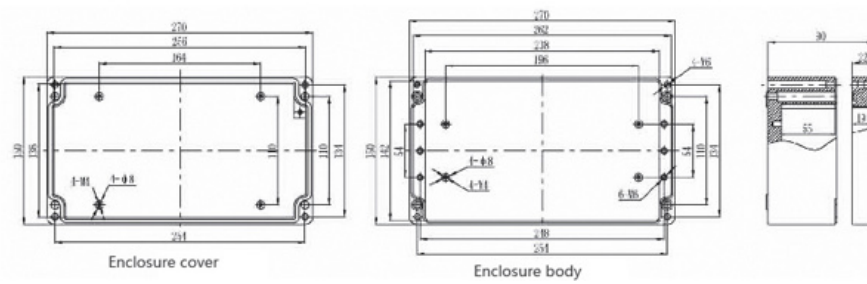
LK221208



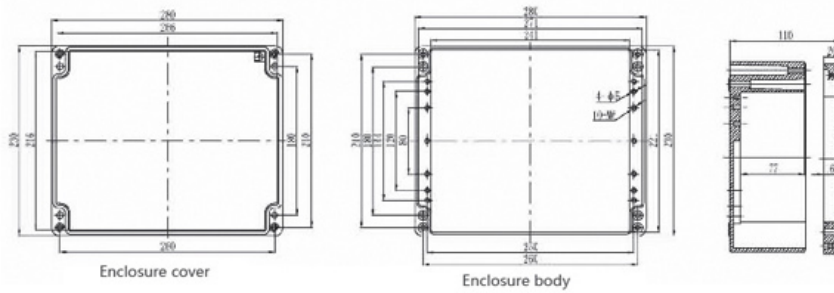
LK261609



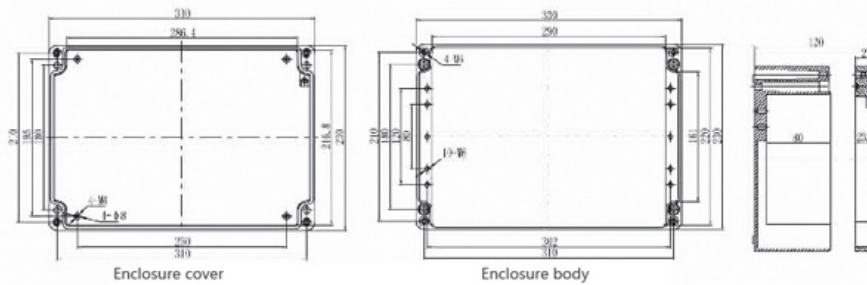
LK271509



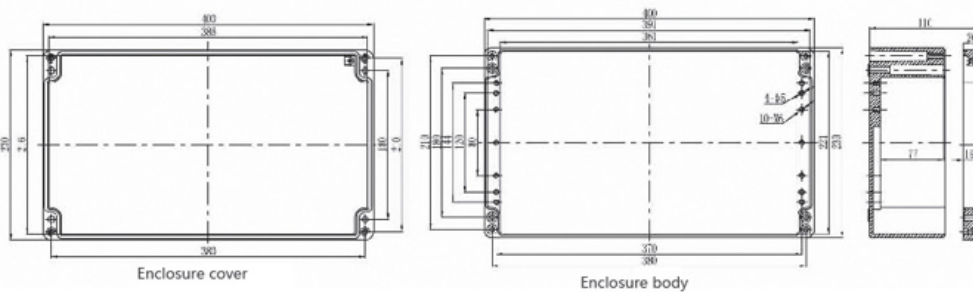
LK282311



LK332312



LK402311



RL Terminal Enclosures (Class IP66)



Supply includes:

Enclosure with cover, fast locking self tapping screws, metal gauge, foamed-in polyurethane seal

Spare parts includes: Galvanized wall hook and mounting plate

Material: High quality cold-rolled steel sheet, positive tolerance.

Enclosure thickness 1.5mm

Cover thickness 1.5mm

Mounting plate thickness 2.0mm (according to the dimensions of the enclosure)

Stainless steel sheet brushed type: 304B

Surface finish:

Enclosure and cover surface with 12 international pre-treatment procedures including pickling, phosphating, wax removal, rinsing, decontamination, Electrostatic spraying primed and powder-coated on the outside, RAL7032 or RAL7035 color, any colors are available upon request. The mounting plate and hooks are zinc plating. The zinc layer thickness is 6-7 um without scratches. The mirror-like surface is anti-rust and sun-proof, which can be applied in hot and humid Southern areas.

Instruction:

RL series Terminal Enclosures are manufactured by special automation machine and mold production. The full welding of automatic welder possesses almost 100% similarity with the imported products from its material, details and crafts. The enclosure opening and body are stamp-molded. RL series conform to IP66 ingress class.

Note:

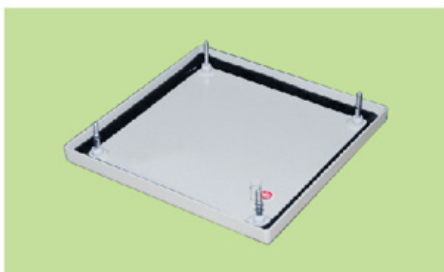
RLX series are made of stainless steel, its code and dimensions are complete same with RL series.

Instruction 1: Rx

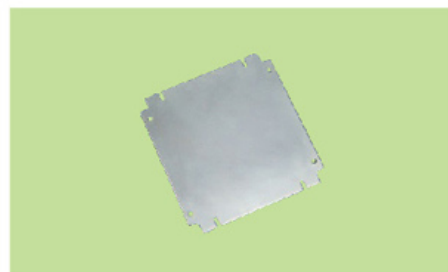
Code	Color	Remark
R2	*RAL7032	Standard color
R5	RAL7035	Standard color
R9	Non-standard color	Customized

Product Dimensions:

Type(RL)	(HxWxD) Size	Mounting Plate Code (HxW)
*RL1515080Rx	150*150*80	RL1515000
*RL1515120Rx	150*150*120	RL1515000
*RL1520080Rx	150*200*80	RL1520000
*RL1520120Rx	150*200*120	RL1520000
RL2020080Rx	200*200*80	RL2020000
*RL2020120Rx	200*200*120	RL2020000
RL3015080Rx	300*150*80	RL3015000
*RL3015120Rx	300*150*120	RL3015000
RL3020080Rx	300*200*80	RL3020000
*RL3020120Rx	300*200*120	RL3020000
*RL3030120Rx	300*300*120	RL3030000
RL4015120Rx	400*150*120	RL4015000
RL4020080Rx	400*200*80	RL4020000
RL4020120Rx	400*200*120	RL4020000
*RL4030120Rx	400*300*120	RL4030000
RL4040120Rx	400*400*120	RL4040000
*RL5020210Rx	500*200*120	RL5020000
RL5030120Rx	500*300*120	RL5030000
RL6020080Rx	600*200*80	RL6020000
RL6020120Rx	600*200*120	RL6020000
*RL6030120Rx	600*300*120	RL6030000
RL6040120Rx	600*400*120	RL6040000
RL8020120Rx	800*200*120	RL8020000
RL8040120Rx	800*400*120	RL8040000



Special lock screw



Mounting Plate



KE60 Universal Terminal for Al/Cu Conductors

Technical Specification

Conductor Cross-section(mm²) : 1.5-16 mm²

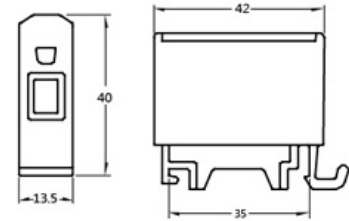
Housing: Polyamide

Mounting: DIN rail

Screw: Hexagon, 4mm

Operating Temperature (°C): Max 80°C

Standard: EN61238-1, EN60947-7-2



Model no.	Code	Color	Pole	Tighten torque(Nm)	Nominal Current(A)	Nominal Voltage(V)	Weight (g)
KE60.1	1914100	Grey	1 pole Al/Cu 1.5-16 mm ²	1.5Nm(1.5 mm ²)	85A	690V	15
KE60.2	1914101	Blue		3.5Nm(2.5-6 mm ²)			
KE60.3	1914102	Yellow/Green		7Nm(10-16 mm ²)			



KE65 Universal Terminal Al/Cu Conductors

Technical Specification:

Conductor Cross-section(mm²): 2.5-35mm²

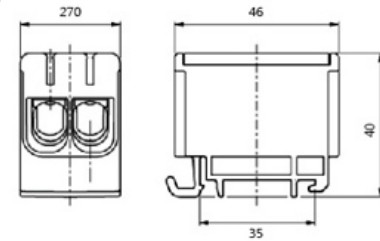
Housing: Polyamide PA66, UL94-V0

Mounting: 35mm din rail

Screw: Hexagon, 4mm, 4No.s

Operating Temperature(°C) max 80°C

Standard: EN61238-1, EN60947-7-2



Model no.	Code	Color	Pole	Tighten torque(Nm)	Nominal Current(A)	Nominal Voltage(V)	Weight (g)
KE65.1	1914206	Grey	2pole Al/Cu 2.5-35mm ²	3Nm(2.5-16mm ²)	CU 135A AL 120A	1000V	44
KE65.2	1914207	Blue		6Nm(25-35mm ²)			
KE65.3	1914208	Yellow/green					



KE61.4 3pole Universal Terminal for Al/Cu Conductors

Technical Specification

Pole: 3 pole

Conductor Cross-section(mm²) :

Cu 2.5-50 mm² Al 6-50 mm²

Conductor Size (AWG): 1/0-6

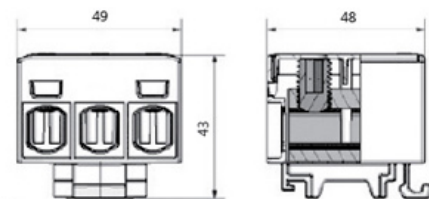
Housing: Polyamide

Mounting: DIN rail

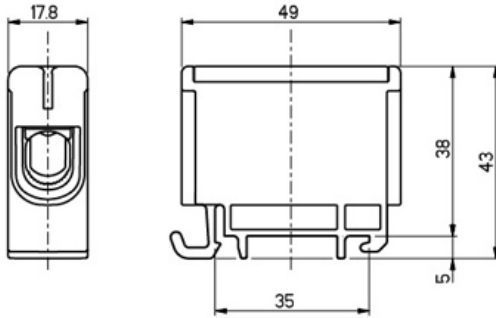
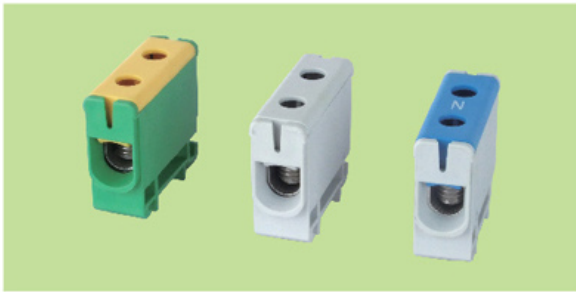
Screw: Hexagon, 5mm

Operating Temperature (°C): Max 80°C

Standard: EN61238-1, EN60947-7-2



Model no.	Code	Color	Pole	Tighten torque(Nm)	Nominal Current(A)	Nominal Voltage(V)	Weight (g)
KE61.4	1914109	Grey	3 pole Al/Cu 2.5-50 mm ²	4Nm(2.5-4 mm ²)	Cu 160A Al 145A	750V	35
KE61.5	1914110	Blue		12Nm(6-50 mm ²)			
KE61.6	1914111	Yellow/Green					



KE61 Universal Terminal for Al/Cu Conductors

Technical Specification

Conductor Cross-section(mm²) :

Cu 2.5-50 mm² Al 6-50 mm²

Conductor Size (AWG): 1/0-6

Housing: Polyamide

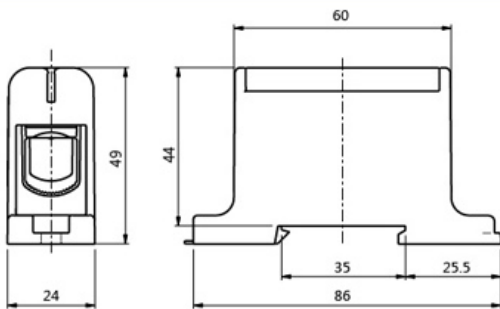
Mounting: DIN rail

Screw: Hexagon, 5mm

Operating Temperature (°C): Max 80°C

Standard: EN61238-1, EN60947-7-2

Model no.	Code	Color	Pole	Tighten torque(Nm)	Nominal Current(A)	Nominal Voltage(V)	Weight (g)
KE61.1	1914103	Grey	1 pole Al/Cu2.5-50 mm ²	4Nm(2.5-4 mm ²) 12Nm(6-50 mm ²)	Cu 160A Al 145A	750V	35
KE61.2	1914104	Blue					
KE61.3	1914105	Yellow/Green					



KE62 Universal Terminal for Al/Cu Conductors

Technical Specification

Conductor Cross-section(mm²) : 16-95 mm²

Conductor Size (AWG): 4/0-4

Housing: Polyamide

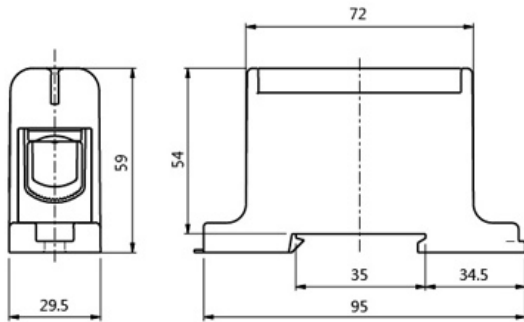
Mounting: DIN rail

Screw: Hexagon, 5mm

Operating Temperature (°C): Max 80°C

Standard: EN 61238-1, EN 60947-7-1

Model no.	Code	Color	Pole	Tighten torque(Nm)	Nominal Current(A)	Nominal Voltage(V)	Weight (g)
KE62.1	1914113	Grey	1 pole Al/Cu16-95 mm ²	20Nm	Cu 245A Al 220A	750V	90
KE62.2	1914114	Blue					
KE62.3	1914115	Yellow/Green					



KE63 Universal Terminal for Al/Cu Conductors

Technical Specification

Conductor Cross-section(mm²) : 35-150 mm²

Conductor Size (AWG): 300-2

Housing: Polyamide

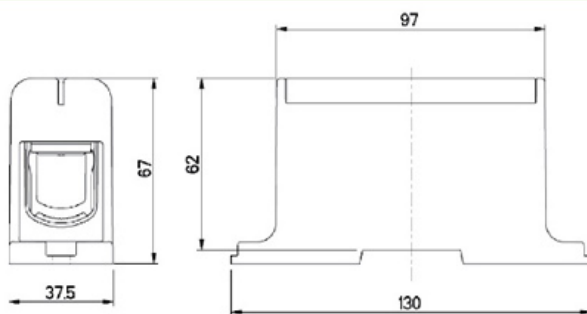
Mounting: DIN rail

Screw: Hexagon, 8mm

Operating Temperature (°C): Max 80°C

Standard: SFS 2663

Model no.	Code	Color	Pole	Tighten torque(Nm)	Nominal Current(A)	Nominal Voltage(V)	Weight (g)
KE63.1	1914118	Grey	1 pole Al/Cu 35-150 mm ²	14Nm(35-95mm ²) 24Nm(120-150mm ²)	Cu 320A Al 290A	750V	160
KE63.2	1914119	Blue					
KE63.3	1914120	Yellow/Green					



KE64 Universal Terminal for Al/Cu Conductors

Technical Specification

Conductor Cross-section(mm²) : 35-240 mm²

Conductor Size (AWG): 500-3/0

Housing: Polyamide

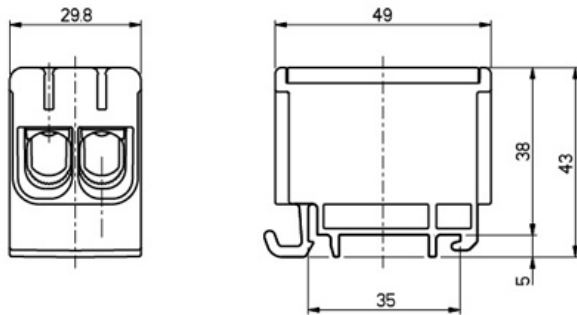
Mounting: Screw

Screw: Hexagon, 8mm

Operating Temperature (°C): Max 80°C

Standard: EN 61238-1, EN 60947-7-1

Model no.	Code	Color	Pole	Tighten torque(Nm)	Nominal Current(A)	Nominal Voltage(V)	Weight (g)
KE64.1	1914130	Grey	1 pole Al/Cu 35-240 mm ²	12Nm(35-70mm ²) 40Nm(95-240mm ²)	Cu 425A Al 380A	750V	305
KE64.2	1914131	Blue					
KE64.3	1914132	Yellow/Green					



KE66 Universal Terminal for Al/Cu Conductors

Technical Specification

Conductor Cross-section(mm²) :

Cu 2.5-50 mm² Al 6-50 mm²

Conductor Size (AWG): 1/0-6

Housing: Polyamide

Mounting: DIN rail

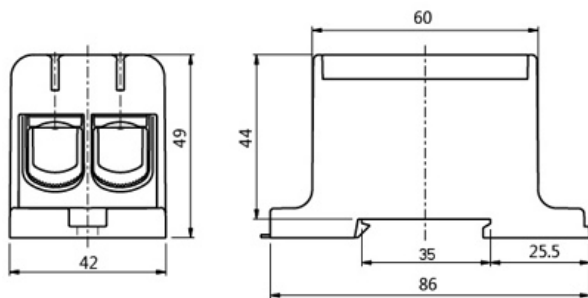
Number of termination points : 4

Screw: Hexagon, 5mm

Operating Temperature (°C): Max 80°C

Standard: EN 61238-1, EN 60947-7-1

Model no.	Code	Color	Pole	Tighten torque(Nm)	Nominal Current(A)	Nominal Voltage(V)	Weight (g)
KE66.1	1914106	Grey	2 pole Al/Cu2.5-50 mm ²	4Nm(2.5-4 mm ²) 12Nm(6-50 mm ²)	Cu 160A Al 145A	750V	60
KE66.2	1914107	Blue					
KE66.3	1914108	Yellow/Green					



KE67 Universal Terminal for Al/Cu Conductors

Technical Specification

Conductor Cross-section(mm²) : 16-95 mm²

Conductor Size (AWG): 4/0-4

Housing: Polyamide

Mounting: DIN rail

Number of termination points : 4

Screw: Hexagon, 8mm

Operating Temperature (°C): Max 80°C

Standard: EN 61238-1, EN 60947-7-1

Model no.	Code	Color	Pole	Tighten torque(Nm)	Nominal Current(A)	Nominal Voltage(V)	Weight (g)
KE67.1	1914125	Grey	2 pole Al/Cu16-95 mm ²	20 Nm	Cu 245A Al 220A	750V	165
KE67.2	1914126	Blue					
KE67.3	1914127	Yellow/Green					



KE68 Universal Terminal for Al/Cu Conductors

Technical Specification

Conductor Cross-section(mm²) : 35-150 mm²

Conductor Size (AWG): 300-2

Housing: Polyamide

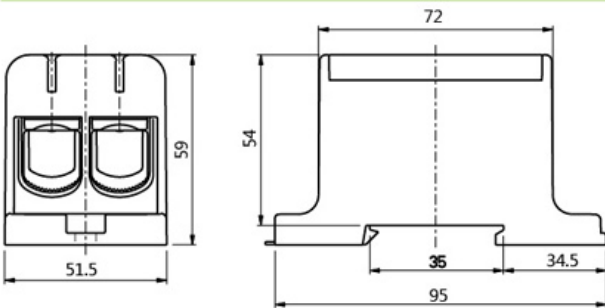
Mounting: DIN rail

Number of termination points : 4

Screw: Hexagon, 8mm

Operating Temperature (°C): Max 80°C

Standard: EN 61238-1, EN 60947-7-1



Model no.	Code	Color	Pole	Tighten torque(Nm)	Nominal Current(A)	Nominal Voltage(V)	Weight (g)
KE68.1	1914124	Grey	2 pole Al/Cu35-150 mm ²	20 Nm (35-95mm ²)	Cu 320A Al 290A	750V	290
KE68.2	1914125	Blue		30 Nm (120-150mm ²)			
KE68.3	1914126	Yellow/Green					



KE69 Universal Terminal for Al/Cu Conductors

Technical Specification

Conductor Cross-section(mm²) : 35-240 mm²

Conductor Size (AWG): 500-3/0

Housing: Polyamide

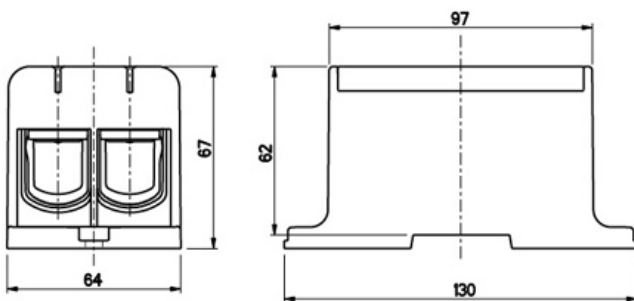
Mounting: Screw

Number of termination points : 4

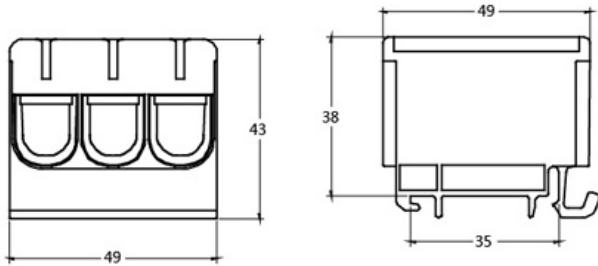
Screw: Hexagon, 8mm

Operating Temperature (°C): Max 80°C

Standard: EN 61238-1, EN 60947-7-1



Model no.	Code	Color	Pole	Tighten torque(Nm)	Nominal Current(A)	Nominal Voltage(V)	Weight (g)
KE69.1	1914133	Grey	2 pole Al/Cu 35-240 mm ²	12 Nm (35-70mm ²)	Cu 425A Al 380A	750V	550
KE69.2	1914134	Blue		45 Nm (95-240mm ²)			
KE69.3	1914135	Yellow/Green					



KE71 Universal Terminal for Al/Cu Conductors

Technical Specification

Conductor Cross-section(mm²) :

Cu 2.5-50 mm² Al 6-50 mm²

Conductor Size (AWG): 1/0-6

Housing: Polyamide

Mounting: DIN rail

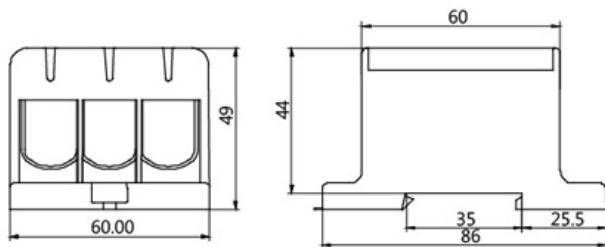
Number of termination points : 4

Screw: Hexagon, 5mm

Operating Temperature (°C): Max 80°C

Standard: EN 61238-1, EN 60947-7-1

Model no.	Code	Color	Pole	Tighten torque(Nm)	Nominal Current(A)	Nominal Voltage(V)	Weight (g)
KE71.1		Grey	3 pole Al/Cu2.5-50 mm ²	4Nm(2.5-4 mm ²) 12Nm(6-50 mm ²)	Cu 160A Al 145A	750V	60
KE71.2		Blue					
KE71.3		Yellow/Green					



KE72 Universal Terminal for Al/Cu Conductors

Technical Specification

Conductor Cross-section(mm²) : 16-95 mm²

Conductor Size (AWG): 4/0-4

Housing: Polyamide

Mounting: DIN rail

Number of termination points : 4

Screw: Hexagon, 8mm

Operating Temperature (°C): Max 80°C

Standard: EN 61238-1, EN 60947-7-1

Model no.	Code	Color	Pole	Tighten torque(Nm)	Nominal Current(A)	Nominal Voltage(V)	Weight (g)
KE72.1		Grey	3 pole Al/Cu16-95 mm ²	20 Nm	Cu 245A Al 220A	750V	165
KE72.2		Blue					
KE72.3		Yellow/Green					



KE73 Universal Terminal for Al/Cu Conductors

Technical Specification

Conductor Cross-section(mm²) : 35-150 mm²

Conductor Size (AWG): 300-2

Housing: Polyamide

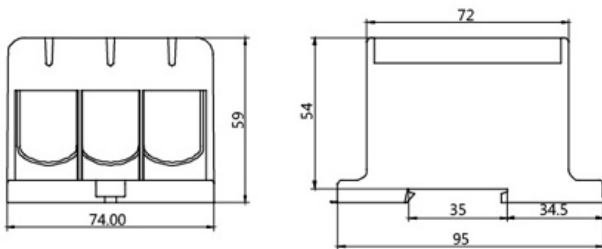
Mounting: DIN rail

Number of termination points : 4

Screw: Hexagon, 8mm

Operating Temperature (°C): Max 80°C

Standard: EN 61238-1, EN 60947-7-1



Model no.	Code	Color	Pole	Tighten torque(Nm)	Nominal Current(A)	Nominal Voltage(V)	Weight (g)
KE73.1		Grey	3 pole Al/Cu35-150 mm ²	20 Nm (35-95mm ²) 30 Nm (120-150mm ²)	Cu 320A Al 290A	750V	290
KE73.2		Blue					
KE73.3		Yellow/Green					



KE74 Universal Terminal for Al/Cu Conductors

Technical Specification

Conductor Cross-section(mm²) : 35-240 mm²

Conductor Size (AWG): 500-3/0

Housing: Polyamide

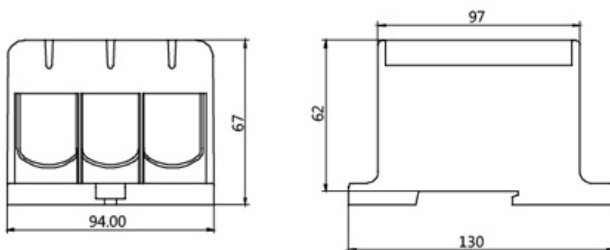
Mounting: Screw

Number of termination points : 4

Screw: Hexagon, 8mm

Operating Temperature (°C): Max 80°C

Standard: EN 61238-1, EN 60947-7-1



Model no.	Code	Color	Pole	Tighten torque(Nm)	Nominal Current(A)	Nominal Voltage(V)	Weight (g)
KE74.1		Grey	3 pole Al/Cu 35-240 mm ²	12 Nm (35-70mm ²) 45 Nm (95-240mm ²)	Cu 425A Al 380A	750V	550
KE74.2		Blue					
KE74.3		Yellow/Green					



Features for 1000V terminals:

- Suitable for 1000 VAC and VDC
- Compact size
 - Can be installed next to each other without partition plates
- Suitable for both aluminium and copper conductors
- Short circuit tested class A terminals
- Higher temperature range (90 °C)

Technical features

- Housing: fiberglass reinforced polyamide
 - Better mechanical strength vs. polyamide
 - Better insulating capacity
 - 90°C temperature range achieved for the material
- Colours:
 - Red and black versions for DC applications
 - Grey and blue for AC applications (KE6x.3 to be used as a grounding terminal)

Standards	
For copper conductors:	EN 60947-7-1:2009
For aluminium conductors:	EN 61238-1:2003
Connector class	A
Technical information	
Cross-section range:	Al 6 - 150 mm ² Cu 2.5 - 150 mm ²
Nominal current range:	145 - 320 A
Operating temperature:	max. 90°C
Pollution degree	3
Material	
Housing:	Fiberglass reinforced polyamide
Body and screws:	Tin-coated aluminium
Mechanical features	
Screw heads:	Hexagonal
Mounting:	Screws or DIN rail



1000V, one-pole terminal blocks

Product code	Conductor cross-section (mm ²)	Colour	Nominal current (A)	Nominal insulation voltage (V)	Screw head hexagon (mm)	Tightening torque (Nm)	Mounting	Weight (kg)	Package size (pcs)
LK161	Cu 2,5-50 mm ² Al 6-50 mm ²	Grey	Cu 160 A, Al 145 A	1000 V	5 mm	4 Nm (2.5-4mm ²), 12 Nm (6-50mm ²)	DIN rail	0.045	30
LK161.2	Cu 2,5-50 mm ² Al 6-50 mm ²	Blue	Cu 160 A, Al 145 A	1000 V	5 mm	4 Nm (2.5-4mm ²), 12 Nm (6-50mm ²)	DIN rail	0.045	30
LK161.4	Cu 2,5-50 mm ² Al 6-50 mm ²	Red	Cu 160 A, Al 145 A	1000 V	5 mm	4 Nm (2.5-4mm ²), 12 Nm (6-50mm ²)	DIN rail	0.045	30
LK161.6	Cu 2,5-50 mm ² Al 6-50 mm ²	Black	Cu 160 A, Al 145 A	1000 V	5 mm	4 Nm (2.5-4mm ²), 12 Nm (6-50mm ²)	DIN rail	0.045	30
LK162	Al/Cu 16-95 mm ²	Grey	Cu 245 A, Al 220 A	1000 V	5 mm	20 Nm	DIN rail/screw	0.091	30
LK162.2	Al/Cu 16-95 mm ²	Blue	Cu 245 A, Al 220 A	1000 V	5 mm	20 Nm	DIN rail/screw	0.091	30
LK162.4	Al/Cu 16-95 mm ²	Red	Cu 245 A, Al 220 A	1000 V	5 mm	20 Nm	DIN rail/screw	0.091	30
LK162.6	Al/Cu 16-95 mm ²	Black	Cu 245 A, Al 220 A	1000 V	5 mm	20 Nm	DIN rail/screw	0.091	30
LK163	Al/Cu 35-150 mm ²	Grey	Cu 320 A, Al 290 A	1000 V	8 mm	20 Nm (35-95mm ²), 30 Nm (120-150mm ²)	DIN rail/screw	0.143	30
LK163.2	Al/Cu 35-150 mm ²	Blue	Cu 320 A, Al 290 A	1000 V	8 mm	20 Nm (35-95mm ²), 30 Nm (120-150mm ²)	DIN rail/screw	0.143	30
LK163.4	Al/Cu 35-150 mm ²	Red	Cu 320 A, Al 290 A	1000 V	8 mm	20 Nm (35-95mm ²), 30 Nm (120-150mm ²)	DIN rail/screw	0.143	30
LK163.6	Al/Cu 35-150 mm ²	Black	Cu 320 A, Al 290 A	1000 V	8 mm	20 Nm (35-95mm ²), 30 Nm (120-150mm ²)	DIN rail/screw	0.143	30

The nominal currents in the table are for maximum cross-sections.

UL recognitions

Product code	Wire type	AWG* 1 wire/ terminal	AWG* 2 Cu-wires/ terminal	AWG* 3 Cu-wires/ terminal	Max insulation voltage	Max current	Tightening torque	Allen-hex socket head terminal screw	Dimensions (W x H x D)
LK161	Cu	1/0 - 6	6	8	1000 V	150 A	90 lb-in (10 Nm)	5 mm	3.25 x 1.89 x 0.76 In (82.5 x 48 x 19.2 mm)
	Al	1/0 - 6			1000 V	120 A			
LK162	Cu	4/0 - 4	2 - 6	6	1000 V	230 A	126 lb-in (14 Nm)	5 mm	3.74 x 2.16 x 0.98 In (95 x 55 x 25 mm)
	Al	4/0 - 4			1000 V	180 A			
LK163	Cu	300 - 2	1/0 - 2	2	1000 V	285 A	216 lb-in (24 Nm)	8 mm	4.15 x 2.58 x 1.20 In (105.5 x 65.5 x 30.4 mm)
	Al	300 - 2			1000 V	230 A			

Standard UL 1059

* AWG = American Wire Gauge

All terminal blocks are delivered with oxide-inhibiting compound applied.



LK161



LK161.2



LK162.6

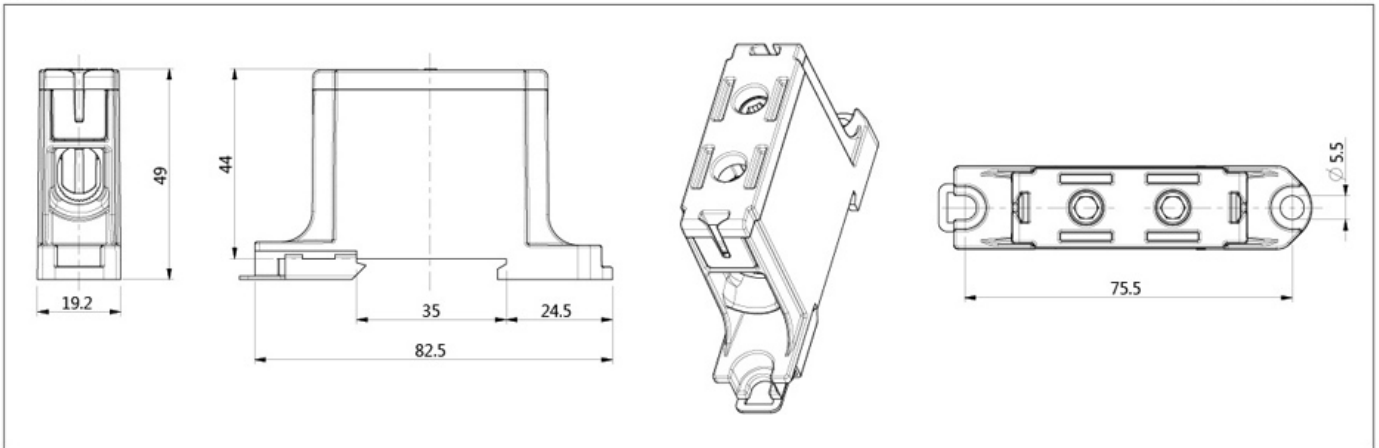


LK163.4

Dimensional drawings

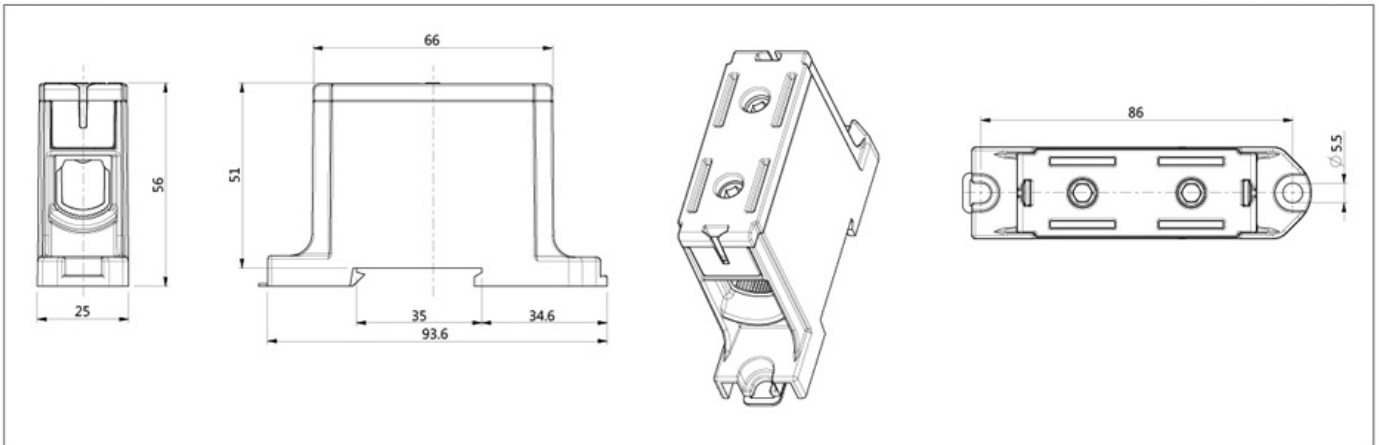
LK 161

Dimensions in mm



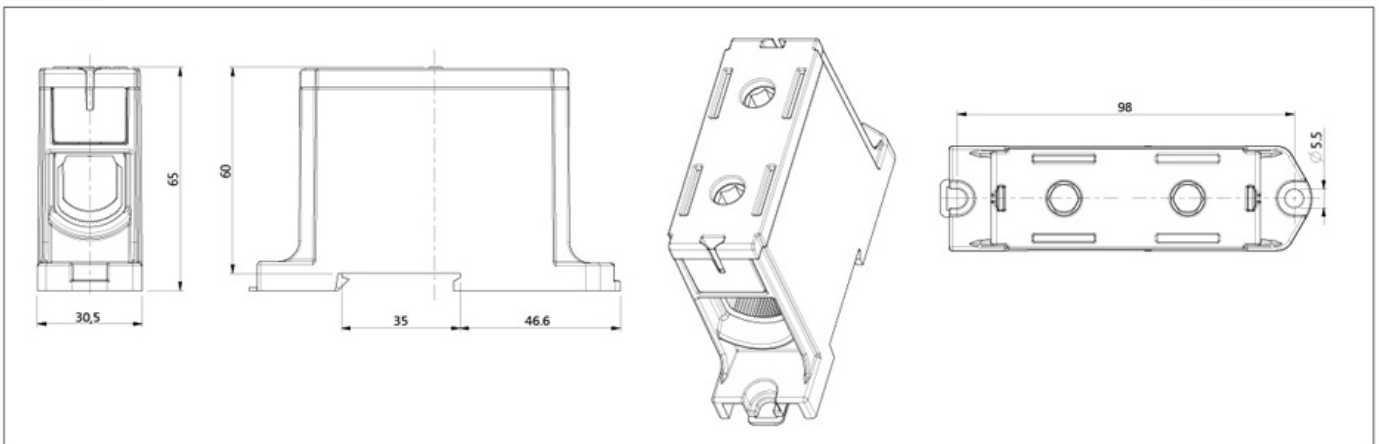
LK 162

Dimensions in mm



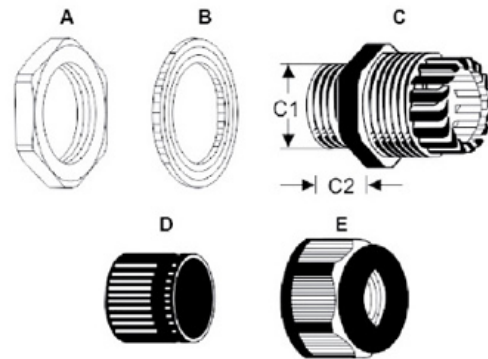
LK 163

Dimensions in mm





Cable Glands Series

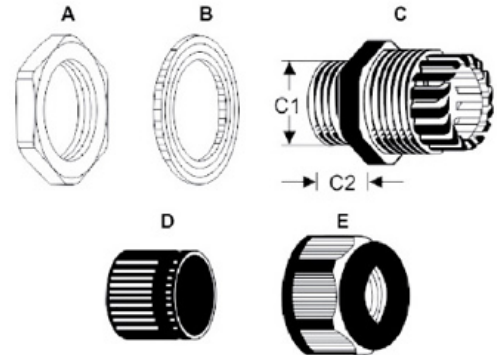


Product Overview

- ◆ Thread: PG, Metric, G, and NPT thread
- ◆ Materials: UL approved Nylon PA66 (Flammability UL 94V-2) for A. C. E parts, (Accept to make flammability UL 94V-0); EPDM rubber for B. D parts, (Also accept to make super rubber: resist high temperature rubber, resist strong acid/alkali, etc).
- ◆ Protection degree: IP68
- ◆ Working temperature: -40°C to 100°C
- ◆ Features: The claws and seals of excellent design, sealing nut have a "click" sound and re-open, can hold cable firmly and have a wider cable range. Resistant to salt water, weak acid, alcohol, oil, grease and common solvency.
- ◆ Colours: Black(RAL9005), gray(RAL7035), other color available upon request.

PG Type	PG Thicken Type	Applicable to cable	Thread diameter C1	Thread length C2	Wrench diameter
PG7	PG7-T	3~6.5	12.5	8	16
PG9	PG9-T	4~8	15.2	8	19
PG11	PG11-T	5~10	18.6	8	22
PG13.5	PG13.5-T	6~12	20.4	10	24
PG16	PG16-T	10~14	22.5	10	27
PG19	PG19-T	12~16	24	10	27
PG21	PG21-T	13~18	28.3	10	33
PG25	PG25-T	16~21	30	11	35
PG29	PG29-T	18~25	37	12	42
PG36	PG36-T	22~32	47	14	52
PG42	PG42-T	32~38	54	14	60
PG48	PG48-T	37~44	59.3	15	64
PG63	PG63-T	42~50	71	28	77

Nylon Cable Glands (Standard type)



Product Overview

- ◆ Thread: Metric, PG, G(PF), and NPT thread
- ◆ Materials: UL approved Nylon PA66 (Flammability UL 94V-2) for A. C. E parts, (Accept to make flammability UL 94V-0); EPDM rubber for B. D parts, (Also accept to make super rubber: resist high temperature rubber, resist strong acid/alkali, etc).
- ◆ Protection degree: IP68
- ◆ Working temperature: -40°C to 100°C
- ◆ Features: The claws and seals of excellent design, sealing nut have a “click” sound and re-open, can hold cable firmly and have a wider cable range. Resistant to salt water, weak acid, alcohol, oil, grease and common solvency.
- ◆ Colours: Black(RAL9005), gray(RAL7035), other color available upon request.

PG Type	PG Thicken Type	Applicable to cable	Thread diameter C1	Thread length C2	Wrench diameter
M12x1.5	M12x1.5-T	3~6.5	12	8	16
M16x1.5	M16x1.5-T	4~8	16	8	19
M18x1.5	M18x1.5-T	5~10	18	8	22
M20x1.5	M20x1.5-T	6~12	20	10	24
M22x1.5	M22x1.5-T	10~14	22	10	27
M24x1.5	M24x1.5-T	12~16	24	10	27
M25x1.5	M25x1.5-T	13~18	25	10	33
M27x1.5	M27x1.5-T	13~18	27	10	33
M30x1.5	M30x1.5-T	16~21	30	11	35
M32x1.5	M32x1.5-T	16~21	32	11	35
M36x1.5	M36x1.5-T	18~25	36	12	42
M40x1.5	M40x1.5-T	22~32	40	14	52
M50x1.5	M50x1.5-T	32~38	50	14	60
M63x1.5	M63x1.5-T	37~44	63	15	64
M71x1.5	M71x1.5-T	42~50	71	28	77



Executive standard: IEC60529 IP68
EN 60309

Colors available: grey/black

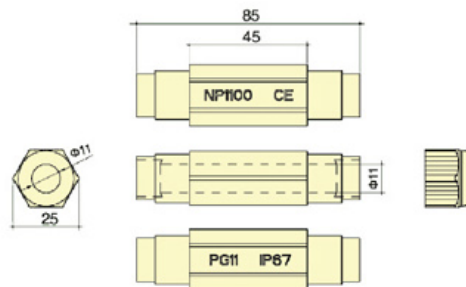
Applications:

For outdoor cable connections where require the waterproof function, such as street lamps, bridge and tunnel lights, garden illumination, large electronic displays, etc.

PG11



cable diameter Φ 5-10mm

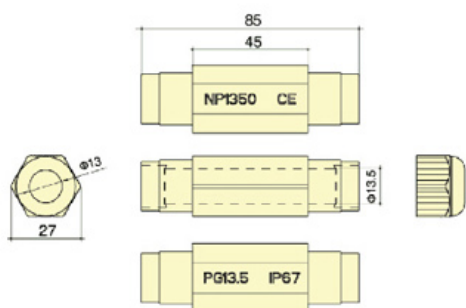


Specifications mm ²	external diameter mm
2x0.2	4.2
2x0.3	5.0
2x0.5	5.8
2x0.75	6.0
2x1	6.8
2x1.5	7.8
2x2.5	9.6
2x4	11.5
2x6	13

PG13.5



cable diameter Φ 6-12mm



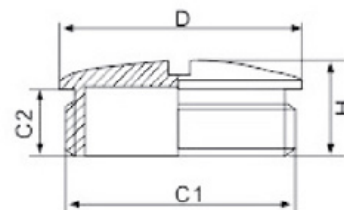
Specifications mm ²	external diameter mm
3x0.2	4.4
3x0.3	5.3
3x0.5	6.2
3x0.75	6.4
3x1	7.15
3x1.5	8.45
3x2.5	10.4
3x4	12.3
3x6	13.5

Nylon Screw Plugs PG/M type



Product Overview

- ◆ Material: Nylon PA66
- ◆ Protection degree: IP68
- ◆ Working temperature: -40°C to 100°C
- ◆ Application: Dust-proof for spare holes
- ◆ Colours: Black and gray



Nylon Screw Plugs PG Type

PG Type	Thread diameter C1	Thread length C2	Main Dimensions H	Cover Dimensions D
PG7	12.5	8.5	12.5	15
PG9	15.2	8.5	13	19
PG11	18.6	9	13	22
PG13.5	20.4	9	13	25
PG16	22.5	10.5	15	27
PG21	28.3	10.5	15.5	33
PG29	37	11.5	16	44
PG36	47	13.5	18	55
PG42	54	13.5	18.5	62
PG48	59.3	14.5	19.5	68

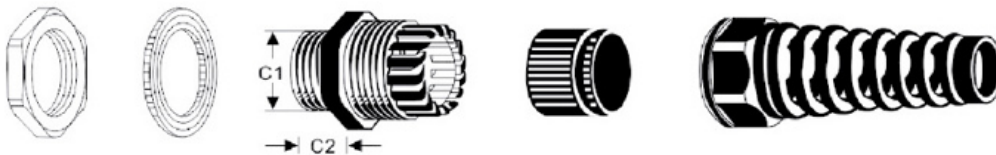
Nylon Screw Plugs M Type

M Type	Thread diameter C1	Thread length C2	Main Dimensions H	Cover Dimensions D
M12x1.5	12	8.5	12.5	15
M16x1.5	16	8.5	13	19
M18x1.5	18	9	13	22
M20x1.5	20	9	13	25
M22x1.5	22	10.5	15	27
M25x1.5	25	10.5	15.5	30
M27x1.5	27	10.5	15.5	33
M32x1.5	32	10.5	16	38
M40x1.5	40	11.5	16	46
M50x1.5	50	13.5	18	56
M63x1.5	63	14.5	19	68



Product Overview

- ◆ Thread: PG, Metric, G, and NPT thread
- ◆ Materials: UL approved Nylon PA66 (Flammability UL 94V-2) for A. C. E parts, (Accept to make flammability UL 94V-0); EPDM rubber for B. D parts, (Also accept to make super rubber: resist high temperature rubber, resist strong acid/alkali, etc).
- ◆ Protection degree: IP68
- ◆ Working temperature: -40°C to 100°C
- ◆ Features: The claws and seals of excellent design, sealing nut have a "click" sound and re-open, can hold cable firmly and have a wider cable range. Resistant to salt water, weak acid, alcohol, oil, grease and common solvency.
- ◆ Colours: Black(RAL9005), gray(RAL7035), other color available upon request.



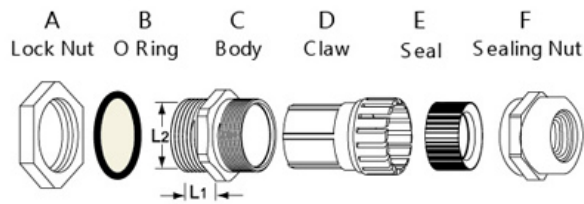
Spiral Cable Glands PG type

PG Type	Cable Range	Thread diameter C1	Thread length C2	Wrench diameter
PG7	3~6.5	12.5	8	16
PG7	2~5	12.5	8	16
PG9	4~8	15.2	8	19
PG9	2~6	15.2	8	19
PG11	5~10	18.6	8	22
PG11	3~7	18.6	8	22
PG13.5	6~12	20.4	9	24
PG13.5	5~9	20.4	9	24
PG16	10~14	22.5	10	27
PG16	7~12	22.5	10	27
PG21	13~18	28.3	10	33
PG21	9~16	28.3	10	33

Spiral Cable Glands M type

M Type	Cable Range	Thread diameter C1	Thread length C2	Wrench diameter
M12x1.5	3~6.5	12	8	16
M12x1.5	2~5	12	8	16
M16x1.5	4~8	16	8	19
M16x1.5	2~6	16	8	19
M18x1.5	5~10	18	8	22
M18x1.5	3~7	18	8	22
M20x1.5	6~12	20	9	24
M20x1.5	5~9	20	9	24
M22x1.5	10~14	22	10	27
M22x1.5	7~12	22	10	27
M25x1.5	13~18	25	10	33
M25x1.5	9~16	25	10	33
M27x1.5	13~18	27	10	33
M27x1.5	9~16	27	10	33

Metallic cable gland PG type



Material: Parts A, C, F are made of brass plated with nickel, part D is made of UL approved nylon PA66, parts B and E are made of nitrile butadiene rubber (NBR).

Thread spec.: Metric, PG, G, NPT.

Working temperature: -40 °C to 100 °C, instantaneous heat resistance up to 120 °C.

Characteristics: Special design of clamping die and rubber part, large range in clamping the cable, ultrastrong stretching resistance, waterproof, dustproof, and high ability to resist salt, acid, alkali, alcohol, grease and general solvent.

Model	Thread Size	Cable Range (mm)	Thread O. D. L2 (mm)	Thread Length L1 (mm)	Spanner Size (mm)
PG7-M	PG7	3~6.5	12.5	5	14
PG7-M	PG7	2~5	12.5	5	14
PG9-M	PG9	5~9	15.2	6	17
PG9-M	PG9	2~6	15.2	6	17
PG11-M	PG11	6.5~11	18.6	6	20
PG11-M	PG11	3~7	18.6	6	20
PG13.5-M	PG13.5	7~13	20.4	6.5	22
PG13.5-M	PG13.5	5~9	20.4	6.5	22
PG16-M	PG16	9~14	22.5	6.5	24
PG16-M	PG16	6~12	22.5	6.5	24
PG21-M	PG21	11~18	28.3	7	30
PG21-M	PG21	9~16	28.3	7	30
PG29-M	PG29	18~26	37	8	40
PG29-M	PG29	13~20	37	8	40
PG36-M	PG36	24~33	47	9	50
PG36-M	PG36	20~26	47	9	50
PG42-M	PG42	30~39	54	10	58
PG42-M	PG42	25~31	54	10	58
PG48-M	PG48	34~45	59.3	10	64
PG48-M	PG48	29~35	59.3	10	64



Metallic cable gland PG-LM type

Model	Thread Size	Cable Range (mm)	Thread O. D. L2 (mm)	Thread Length L1 (mm)	Spanner Size (mm)
PG7-LM	PG7	3~6.5	12.5	6	14
PG7-LM	PG7	2~5	12.5	6	14
PG9-LM	PG9	4~8	15.2	7	17
PG9-LM	PG9	6~10	15.2	7	17
PG11-LM	PG11	6.5~11	18.6	7	20
PG11-LM	PG11	3~7	18.6	7	20
PG13.5-LM	PG13.5	6~12	20.4	8	22
PG13.5-LM	PG13.5	5~9	20.4	8	22
PG16-LM	PG16	10~14	22.5	8	24
PG16-LM	PG16	6~12	22.5	8	24
PG21-LM	PG21	11~18	28.3	8	30
PG21-LM	PG21	9~16	28.3	8	30
PG29-LM	PG29	18~26	37	9	40
PG29-LM	PG29	13~20	37	9	40
PG36-LM	PG36	25~32	47	10	50
PG36-LM	PG36	20~26	47	10	50
PG42-LM	PG42	32~38	54	10	58
PG42-LM	PG42	25~31	54	10	58
PG48-LM	PG48	34~45	59.3	12	64
PG48-LM	PG48	37~44	59.3	12	64

Metallic cable gland M-M type

Model	Thread Size	Cable Range (mm)	Thread O. D. L2 (mm)	Thread Length L1 (mm)	Spanner Size (mm)
M12-M	M12x1.5	3~6.5	12	5	14
M14-M	M14x1.5	3~6.5	14	6	17
M16-M	M16x1.5	4~8	16	6	17
M18-M	M18x1.5	6~10	18	6	20
M20-M	M20x1.5	8~12	20	6	22
M22-M	M22x1.5	10~14	22	6	24
M24-M	M24x1.5	9~14	24	7	30
M25-M	M25x1.5	9~14	25	7	30
M27-M	M27x1.5(2)	11~18	27	7	30
M30-M	M30x1.5(2)	11~18	30	7	37
M32-M	M32x1.5(2)	15~22	32	8	37
M33-M	M33x1.5(2)	15~22	33	8	37
M36-M	M36x1.5(2)	18~25	36	8	42
M40-M	M40x1.5(2)	18~25	40	8	46
M42-M	M42x1.5(2)	18~25	42	9	46
M48-M	M48x1.5(2)	25~32	48	9	52
M50-M	M50x1.5(2)	33~38	50	9	55
M54-M	M54x1.5(2)	30~38	54	12	58
M60-M	M60x1.5(2)	37~44	60	12	68
M63-M	M63x1.5(2)	37~44	63	12	68
M64-M	M64x1.5(2)	37~44	64	12	68

Metallic cable gland M-LM type long thread

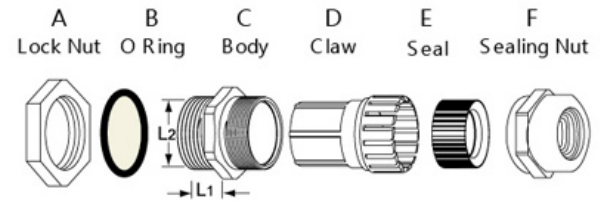


Material: Parts A, C, F are made of brass plated with nickel, part D is made of UL approved nylon PA66, parts B and E are made of nitrile butadiene rubber (NBR).

Thread spec.: Metric, PG, G, NPT.

Working temperature: -40°C to 100°C, instantaneous heat resistance up to 120°C.

Characteristics: Special design of clamping die and rubber part, large range in clamping the cable, ultrastrong stretching resistance, waterproof, dustproof, and high ability to resist salt, acid, alkali, alcohol, grease and general solvent.



Model	Thread Size	Cable Range (mm)	Thread O. D. L2 (mm)	Thread Length L1 (mm)	Spanner Size (mm)
M12-LM	M12x1.5	3~6.5	12	6	14
M14-LM	M14x1.5	3~6.5	14	6	17
M16-LM	M16x1.5	4~8	16	7	17
M18-LM	M18x1.5	6~10	18	7	20
M20-LM	M20x1.5	8~12	20	8	22
M22-LM	M22x1.5	10~14	22	8	24
M24-LM	M24x1.5	10~14	24	8	27
M25-LM	M25x1.5	10~14	25	8	27
M27-LM	M27x1.5(2)	13~18	27	8	30
M30-LM	M30x1.5(2)	13~18	30	8	34
M32-LM	M32x1.5(2)	15~22	32	9	34
M33-LM	M33x1.5(2)	15~22	33	9	36
M36-LM	M36x1.5(2)	18~25	36	9	40
M40-LM	M40x1.5(2)	22~28	40	10	43
M42-LM	M42x1.5(2)	22~28	42	10	45
M48-LM	M48x1.5(2)	25~32	48	10	52
M50-LM	M50x1.5(2)	25~32	50	10	55
M54-LM	M54x1.5(2)	30~38	54	12	58
M60-LM	M60x1.5(2)	37~44	60	12	68
M63-LM	M63x1.5(2)	37~44	63	12	68
M64-LM	M64x1.5(2)	37~44	64	12	68



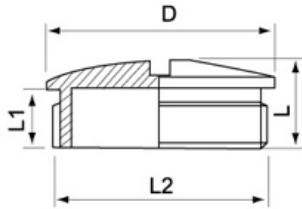
Metallic cable gland NPT-M type

Model	Thread Size	Cable Range (mm)	Thread O. D. L2 (mm)	Thread Length L1 (mm)	Spanner Size (mm)
NPT3/8" -M	NPT3/8"	4~8	17.1	13	18
NPT3/8" -M	NPT3/8"	2~6	17.1	13	18
NPT1/2" -M	NPT1/2"	6~12	21.3	13	22
NPT1/2" -M	NPT1/2"	5~9	21.3	13	22
NPT3/4" -M	NPT3/4"	13~18	26.6	15	30
NPT3/4" -M	NPT3/4"	9~16	26.6	15	30
NPT1" -M	NPT1"	15~22	33.5	16	36
NPT1" -M	NPT1"	13~20	33.5	16	36
NPT1" -M	NPT1 1/4"	22~28	42	18	45
NPT1" -M	NPT1 1/4"	18~25	42	18	45
NPT1" -M	NPT1 1/2"	25~32	48	18	50
NPT1" -M	NPT1 1/2"	20~26	48	18	50

Metallic cable gland PG-MA type

Model	Thread Size	Cable Range (mm)	Thread O. D. L2 (mm)	Thread Length L1 (mm)	Spanner Size (mm)
PG7-MA	PG7	3~6.5	12.5	6	14
PG7-MA	PG7	2~5	12.5	6	14
PG9-MA	PG9	4~8	15.2	7	17
PG9-MA	PG9	2~6	15.2	7	17
PG11-MA	PG11	5~10	18.6	7	20
PG11-MA	PG11	3~7	18.6	7	20
PG13.5-MA	PG13.5	6~12	20.4	7.5	22
PG13.5-MA	PG13.5	5~9	20.4	7.5	22
PG16-MA	PG16	10~14	22.5	7.5	24
PG16-MA	PG16	6~12	22.5	7.5	24
PG21-MA	PG21	13~18	28.3	8	30
PG21-MA	PG21	9~16	28.3	8	30
PG29-MA	PG29	18~25	37	9	40
PG29-MA	PG29	13~20	37	9	40
PG36-MA	PG36	25~32	47	9	50
PG36-MA	PG36	20~26	47	9	50
PG42-MA	PG42	32~38	54	10	58
PG42-MA	PG42	25~31	54	10	58
PG48-MA	PG48	37~44	59.3	11	64
PG48-MA	PG48	29~35	59.3	11	64

Metallic threaded plug PG/M-TM type



Material: Made of brass plated with nickel.

O-sealing element: Made of nitrile butadiene rubber (NBR).

Working temperature: -40 °C to 100 °C.

Metallic threaded plug PG-TM type

Model	Thread Size	Thread O. D. L2 (mm)	Thread Length L1 (mm)	Main body Dimensions L (mm)	Cover Dimensions D (mm)
PG7-TM	PG7	12.5	5	8	14
PG9-TM	PG9	15.2	6	9	17
PG11-TM	PG11	18.6	6	9	20
PG13.5-TM	PG13.5	20.4	6.5	9.5	22
PG16-TM	PG16	22.5	6.5	9.5	24
PG21-TM	PG21	28.3	7	11	30
PG29-TM	PG29	37	8	12	40
PG36-TM	PG36	47	9	15	50
PG42-TM	PG42	54	10	16	60
PG48-TM	PG48	59.3	10	16	65

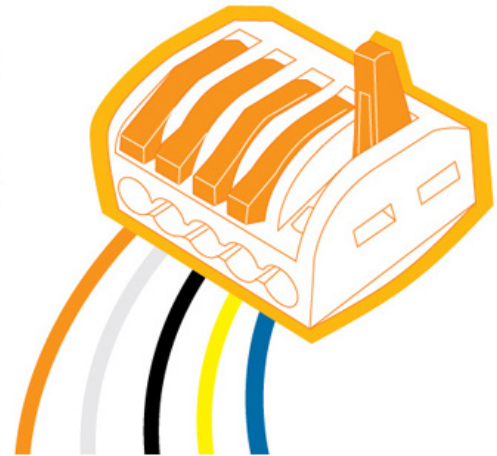
Metallic threaded plug M-TM type

Model	Thread Size	Thread O. D. L2 (mm)	Thread Length L1 (mm)	Main body Dimensions L (mm)	Cover Dimensions D (mm)
M12-TM	M12x1.5	12	5	8	114
M16-TM	M16x1.5	16	6	9	18
M18-TM	M18x1.5	18	6	9	20
M20-TM	M20x1.5	20	6.5	9.5	22
M22-TM	M22x1.5	22	6.5	9.5	25
M25-TM	M25x1.5	25	7	11	28
M32-TM	M32x1.5	32	8	12	35
M40-TM	M40x1.5	40	9	15	44
M50-TM	M50x1.5	50	10	16	54
M63-TM	M63x1.5	63	10	16	67

People for safe and convenient wire connection requires the promotion of products and technologies constantly updated, WCT terminal in use, fast and convenient security, electrical tape completely replace traditional wiring cap. Its safe, reliable, efficient and easy to operate without tools and popular construction and decoration industry, and obtain CE ROHS certification and other professional connectors in Germany and Europe, the Americas, Eastern Europe, the most widely used.

Widely used:

1. chandeliers, ceiling lamps, downlights, spotlights and other electrical connections
2. blinds, umbrellas, electric curtains electric drive
3. Boiler Electrical Control
4. The exhaust fans, ventilation fans and other electrical connections
5. The electrical control automatic door
6. All small stationary electrical connection

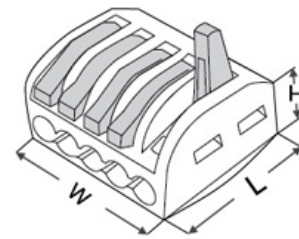


WCT Wire connection

Universal spring-type connector

WCT spring-Universal connector is quick links between various types of wire you can connect any single hard wire or Multi-strand soft wire.

Universal spring-type connector size reference



Wire connection



WCT-212 (2 hole)

Electrical parameters: 400V/4KV/32A

Size: 20.5x12.4x14.5mm

Applicable wire: 0.08-2.5mm(single hard wire)

0.08-4.0mm(multi-strand soft wire)

Stripping length: 9-10mm

Wire connection



WCT-213 (3 hole)

Electrical parameters: 400V/4KV/32A

Size: 20.5x17x14.5mm

Applicable wire: 0.08-2.5mm(single hard wire)

0.08-4.0mm(multi-strand soft wire)

Stripping length: 9-10mm

Wire connection



WCT-214 (4 hole)

Electrical parameters: 400V/4KV/32A

Size: 20.5x22x14.5mm

Applicable wire: 0.08-2.5mm(single hard wire)

0.08-4.0mm(multi-strand soft wire)

Stripping length: 9-10mm

Wire connection



WCT-215 (5 hole)

Electrical parameters: 400V/4KV/32A

Size: 20.5x26.6x14.5mm

Applicable wire: 0.08-2.5mm(single hard wire)

0.08-4.0mm(multi-strand soft wire)

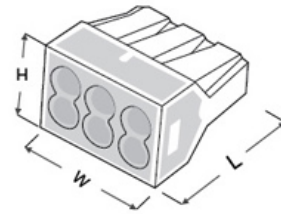
Stripping length: 9-10mm

WCT Wire connection

Universal spring-type connector

WCT spring-Universal connector is quick links between various types of wire you can connect any single hard wire or Multi-strand soft wire.

Universal spring-type connector size reference

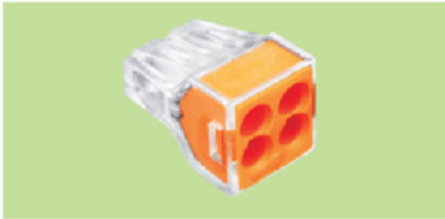


Connectors



WCT-102 (Yellow & Transparent)
 Electrical parameters: 400V/4KV/32A
 Size: 19.5x9.2x13.1mm
 Applicablewire: 0.75-2.5mm(single hard wire)
 1.50-2.5mm(multi-strand soft wire)
 Stripping length: 12mm

Connectors



WCT-104 (Orange & Transparent)
 Electrical parameters: 400V/4KV/32A
 Size: 19.5x13x13.1mm
 Applicablewire: 0.75-2.5mm(single hard wire)
 1.50-2.5mm(multi-strand soft wire)
 Stripping length: 12mm

Connectors



WCT-106 (Purple & Transparent)
 Electrical parameters: 400V/4KV/32A
 Size: 19.5x18.8x13.1mm
 Applicablewire: 0.75-2.5mm(single hard wire)
 1.50-2.5mm(multi-strand soft wire)
 Stripping length: 12mm

Connectors



WCT-108 (Gray & Transparent)
 Electrical parameters: 400V/4KV/32A
 Size: 19.5x24x13.1mm
 Applicablewire: 0.75-2.5mm(single hard wire)
 1.50-2.5mm(multi-strand soft wire)
 Stripping length: 12mm

High Current Connectors

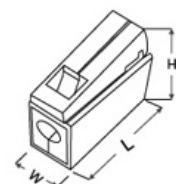


WCT-103 (Purple & Transparent)
 Electrical parameters: 400V/4KV/32A
 Size: 25.6x20.1x14.2mm
 Applicablewire: 2.5-6mm(single hard wire)
 Stripping length: 12mm

Lamps Connectors



WCT-111 (Gray)
 Electrical parameters: 400V/4KV/32A
 Size: 20.5x8.5x15.5mm
 Applicablewire: 1.0-2.5mm(single hard wire)
 0.5-2.5mm(multi-strand soft wire)
 Stripping length: 9-11mm



Universal spring-type connector size reference

2018~2019

FORBOX[®]

Email: richard4400@163.com

Web: www.forbox.net