

# EIA Industrial Air-cooled Conditioner (500W)

550x280x210mm | 500 W

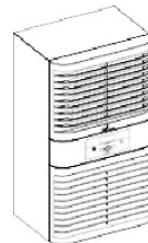


Colour	RAL7035,color can be customized
Protection category	IP54

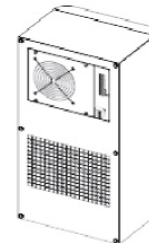
### Features:

- Intelligent inverter control , without transient electric current, up to 40 % less energy-consumption.
- Complete isolation inside and outside,dust-proof, oil&mist proof,moisture-proof etc.
- Compact size , Compatible with main models in the industry.
- Flexible working temperature adjustment from -15--+55 °C .
- Chinese and English bilingual LCD display menu , easy access to parameter setting and alarm information checking.
- Providing MODBUS communication , with power on START-UP function.
- Dust-proof net plug,quick change conveniently.
- Condensate water treatment, efficient solution to the problem of condensate discharge.
- Nano coating, anti-corrosion ability.
- Selectable smoke, access control and flooding alarm.
- 7\*24\*365 uninterrupted operation for more than 10 years.

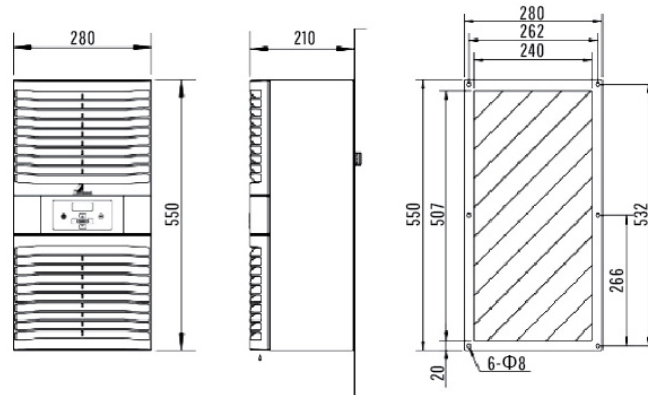
### Dimensions



Side mounting



Installation opening size



Model	unit	EIA05
Height/Width/Depth	mm	550/280/210
Quality-kg	kg	<17
Installation Mode		outdoor (side mounting)
Working Temperature	°C	-15 ~ +55
Noise Level	dB(A)	65
IP protection class		IP54
Refrigerant		R134a
Refrigerating capacity@L35/L35	W	500-550
Input power@L35/L35	W	260-280
Input current @L35/L35	A	1.3-1.35
Rated Voltage	V, Hz	1-,220,50/60

# EIA Industrial Air-cooled Conditioner (1000-2000W)

950x400x280mm | 1000-2000 W

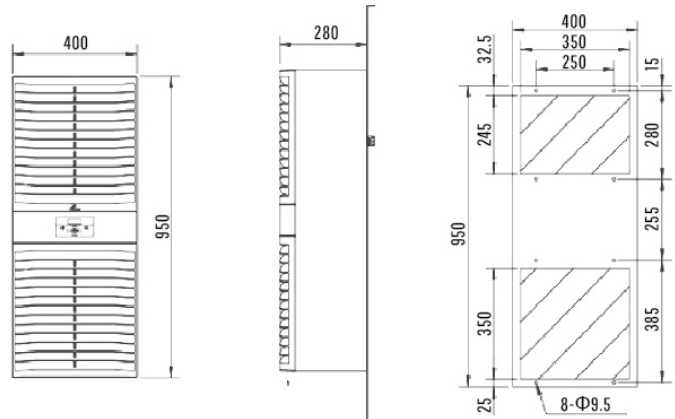
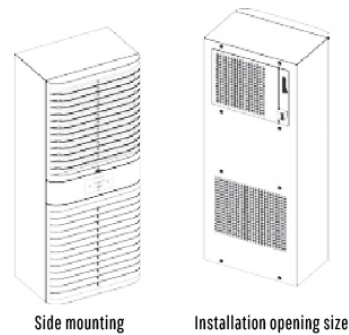


Colour	RAL7035,color can be customized
Protection category	IP54

### Features :

- Intelligent inverter control , without transient electric current, up to 40 % less energy-consumption.
- Complete isolation inside and outside,dust-proof, oil&mist proof,moisture-proof etc.
- Compact size , Compatible with main models in the industry.
- Flexible working temperature adjustment from -15~+55 C .
- Chinese and English bilingual LCD display menu , easy access to parameter setting and alarm information checking
- Providing MODBUS communication , with power on START-UP function.
- Dust-proof net plug,quick change conveniently.
- Condensate water treatment, efficient solution to the problem of condensate discharge.
- Nano coating, anti-corrosion ability.
- Selectable smoke, access control and flooding alarm.
- 7\*24\*365 uninterrupted operation for more than 10 years.

### Dimensions



Model	unit	EIA10	EIA15	EIA20
Height/Width/Depth	mm	950/400/280	950/400/280	950/400/280
Quality-kg	kg	<41	<41	<41
Installation Mode		outdoor (side mounting)	outdoor (side mounting)	outdoor (side mounting)
Working Temperature	°C	-15 ~ +55	-15 ~ +55	-15 ~ +55
Noise Level	dB(A)	65	65	65
IP protection class		IP 54	IP 54	IP 54
Refrigerant		R134a	R134a	R134a
Refrigerating capacity@L35/L35	W	1100-1300	1500-1700	2000-2100
Input power@L35/L35	W	540-680	750-900	1000-1200
Input current @L35/L35	A	2.5-3.2	3.5-4.2	4.6-5.7
Rated Voltage	V, Hz	1-,220,50/60	1-,220,50/60	1-,220,50/60

# EIA Industrial Air-cooled Conditioner (4000W)

1580x500x340mm | 4000 W

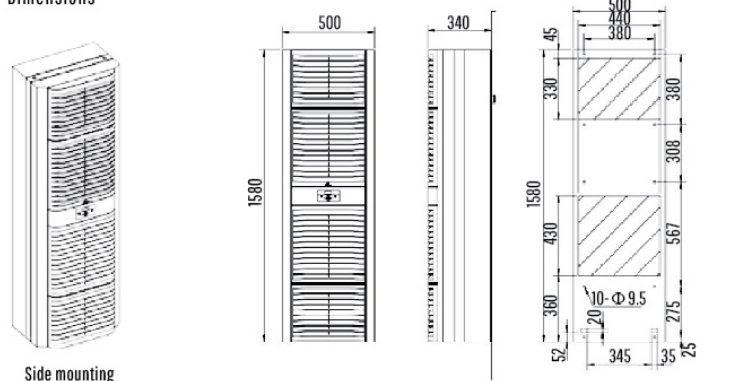


Colour	RAL7035,color can be customized
Protection category	IP54

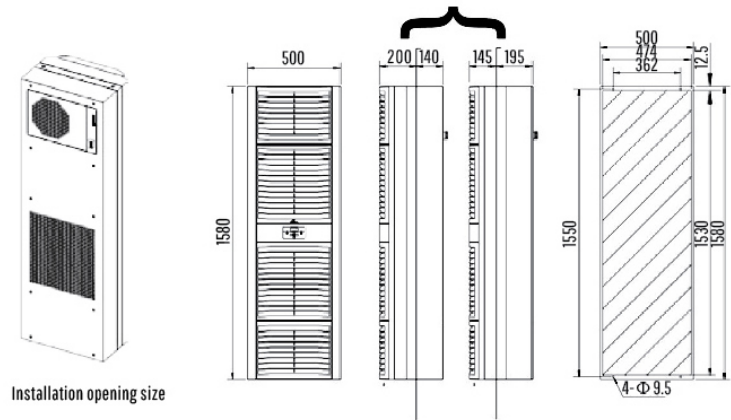
### Features:

- Intelligent inverter control , without transient electric current, up to 40 % less energy-consumption.
- Complete isolation inside and outside,dust-proof, oil&mist proof,moisture-proof etc.
- Compact size , Compatible with main models in the industry.
- Flexible working temperature adjustment from -15~+55 °C .
- Chinese and English bilingual LCD display menu , easy access to parameter setting and alarm information checking.
- Providing MODBUS communication , with power on START-UP function.
- Dust-proof net plug,quick change conveniently.
- Condensate water treatment, efficient solution to the problem of condensate discharge.
- Nano coating, anti-corrosion ability.
- Selectable smoke, access control and flooding alarm.
- 7\*24\*365 uninterrupted operation for more than 10 years.

### Dimensions



Side mounting



Installation opening size

Model	unit	EIA40
Height/Width/Depth	mm	1580/500/340
Quality-kg	kg	89
Installation Mode		Side mounting / door mounting
Working Temperature	°C	-15 ~ +55
Noise Level	dB(A)	65
IP protection class		IP54
Refrigerant		R134a
Refrigerating capacity@L35/L35	W	4000-4500
Input power@L35/L35	W	1900-2600
Input current @L35/L35	A	3.1-4.2
Rated operating voltage,frequency	V, Hz	3~,380,50/60
Air switch	P,A	3,10