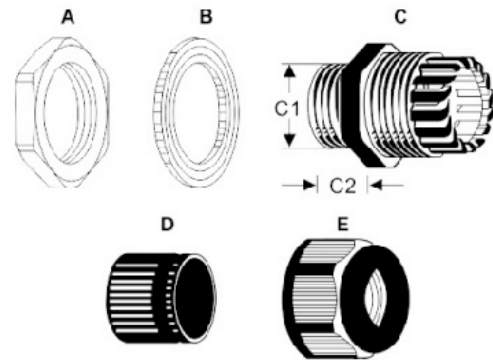




Cable Glands Series

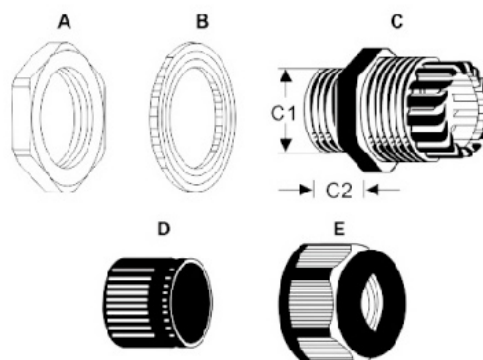


Product Overview

- ◆ Thread: PG, Metric, G, and NPT thread
- ◆ Materials: UL approved Nylon PA66 (Flammability) UL 94V-2) for A. C. E parts, (Accept to make flammability UL 94V-0); EPDM rubber for B. D parts, (Also accept to make super rubber: resist high temperature rubber, resist strong acid/alkali, etc).
- ◆ Protection degree: IP68
- ◆ Working temperature: -40 °C to 100 °C
- ◆ Features: The claws and seals of excellent design, sealing nut have a "click" sound and re-open, can hold cable firmly and have a wider cable range. Resistant to salt water, weak acid, alcohol, oil, grease and common solvency.
- ◆ Colours: Black(RAL9005), gray(RAL7035), other color available upon request.

PG Type	PG Thicken Type	Applicable to cable	Thread diameter C1	Thread length C2	Wrench diameter
PG7	PG7-T	3~6.5	12.5	8	16
PG9	PG9-T	4~8	15.2	8	19
PG11	PG11-T	5~10	18.6	8	22
PG13.5	PG13.5-T	6~12	20.4	10	24
PG16	PG16-T	10~14	22.5	10	27
PG19	PG19-T	12~16	24	10	27
PG21	PG21-T	13~18	28.3	10	33
PG25	PG25-T	16~21	30	11	35
PG29	PG29-T	18~25	37	12	42
PG36	PG36-T	22~32	47	14	52
PG42	PG42-T	32~38	54	14	60
PG48	PG48-T	37~44	59.3	15	64
PG63	PG63-T	42~50	71	28	77

Nylon Cable Glands (Metric) M type



Product Overview

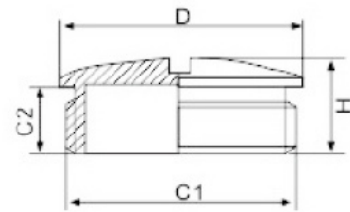
- ◆ Thread: Metric, PG, G(PF), and NPT thread
- ◆ Materials: UL approved Nylon PA66 (Flammability) UL 94V-2) for A. C. E parts, (Accept to make flammability UL 94V-0); EPDM rubber for B. D parts, (Also accept to make super rubber: resist high temperature rubber, resist strong acid/alkali, etc).
- ◆ Protection degree: IP68
- ◆ Working temperature: -40 °C to 100 °C
- ◆ Features: The claws and seals of excellent design, sealing nut have a “click” sound and re-open, can hold cable firmly and have a wider cable range. Resistant to salt water, weak acid, alcohol, oil, grease and common solvency.
- ◆ Colours: Black(RAL9005), gray(RAL7035), other color available upon request.

PG Type	PG Thicken Type	Applicable to cable	Thread diameter C1	Thread length C2	Wrench diameter
M12x1.5	M12x1.5-T	3~6.5	12	8	16
M16x1.5	M16x1.5-T	4~8	16	8	19
M18x1.5	M18x1.5-T	5~10	18	8	22
M20x1.5	M20x1.5-T	6~12	20	10	24
M22x1.5	M22x1.5-T	10~14	22	10	27
M24x1.5	M24x1.5-T	12~16	24	10	27
M25x1.5	M25x1.5-T	13~18	25	10	33
M27x1.5	M27x1.5-T	13~18	27	10	33
M30x1.5	M30x1.5-T	16~21	30	11	35
M32x1.5	M32x1.5-T	16~21	32	11	35
M36x1.5	M36x1.5-T	18~25	36	12	42
M40x1.5	M40x1.5-T	22~32	40	14	52
M50x1.5	M50x1.5-T	32~38	50	14	60
M63x1.5	M63x1.5-T	37~44	63	15	64
M71x1.5	M71x1.5-T	42~50	71	28	77



Product Overview

- ◆ Material: Nylon PA66
- ◆ Protection degree: IP68
- ◆ Working temperature: -40°C to 100°C
- ◆ Application: Dust-proof for spare holes
- ◆ Colours: Black and gray



Nylon Screw Plugs PG Type

PG Type	Thread diameter C1	Thread length C2	Main Dimensions H	Cover Dimensions D
PG7	12.5	8.5	12.5	15
PG9	15.2	8.5	13	19
PG11	18.6	9	13	22
PG13.5	20.4	9	13	25
PG16	22.5	10.5	15	27
PG21	28.3	10.5	15.5	33
PG29	37	11.5	16	44
PG36	47	13.5	18	55
PG42	54	13.5	18.5	62
PG48	59.3	14.5	19.5	68

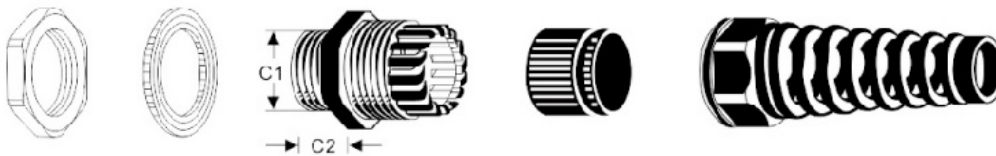
Nylon Screw Plugs M Type

M Type	Thread diameter C1	Thread length C2	Main Dimensions H	Cover Dimensions D
M12x1.5	12	8.5	12.5	15
M16x1.5	16	8.5	13	19
M18x1.5	18	9	13	22
M20x1.5	20	9	13	25
M22x1.5	22	10.5	15	27
M25x1.5	25	10.5	15.5	30
M27x1.5	27	10.5	15.5	33
M32x1.5	32	10.5	16	38
M40x1.5	40	11.5	16	46
M50x1.5	50	13.5	18	56
M63x1.5	63	14.5	19	68



Product Overview

- ◆ Thread: PG, Metric, G, and NPT thread
- ◆ Materials: UL approved Nylon PA66 (Flammability) UL 94V-2) for A. C. E parts, (Accept to make flammability UL 94V-0); EPDM rubber for B. D parts, (Also accept to make super rubber: resist high temperature rubber, resist strong acid/alkali, etc).
- ◆ Protection degree: IP68
- ◆ Working temperature: -40 °C to 100 °C
- ◆ Features: The claws and seals of excellent design, sealing nut have a "click" sound and re-open, can hold cable firmly and have a wider cable range. Resistant to salt water, weak acid, alcohol, oil, grease and common solvency.
- ◆ Colours: Black(RAL9005), gray(RAL7035), other color available upon request.



Spiral Cable Glands PG type

PG Type	Cable Range	Thread diameter C1	Thread length C2	Wrench diameter
PG7	3~6.5	12.5	8	16
PG7	2~5	12.5	8	16
PG9	4~8	15.2	8	19
PG9	2~6	15.2	8	19
PG11	5~10	18.6	8	22
PG11	3~7	18.6	8	22
PG13.5	6~12	20.4	9	24
PG13.5	5~9	20.4	9	24
PG16	10~14	22.5	10	27
PG16	7~12	22.5	10	27
PG21	13~18	28.3	10	33
PG21	9~16	28.3	10	33

Spiral Cable Glands M type

M Type	Cable Range	Thread diameter C1	Thread length C2	Wrench diameter
M12x1.5	3~6.5	12	8	16
M12x1.5	2~5	12	8	16
M16x1.5	4~8	16	8	19
M16x1.5	2~6	16	8	19
M18x1.5	5~10	18	8	22
M18x1.5	3~7	18	8	22
M20x1.5	6~12	20	9	24
M20x1.5	5~9	20	9	24
M22x1.5	10~14	22	10	27
M22x1.5	7~12	22	10	27
M25x1.5	13~18	25	10	33
M25x1.5	9~16	25	10	33
M27x1.5	13~18	27	10	33
M27x1.5	9~16	27	10	33

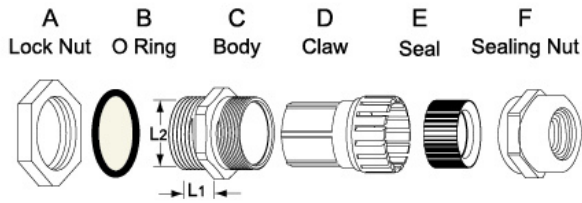


Material: Parts A, C, F are made of brass plated with nickel, part D is made of UL approved nylon PA66, parts B and E are made of nitrile butadiene rubber (NBR).

Thread spec.: Metric, PG, G, NPT.

Working temperature: -40 °C to 100 °C, instantaneous heat resistance up to 120 °C.

Characteristics: Special design of clamping die and rubber part, large range in clamping the cable, ultrastrong stretching resistance, waterproof, dustproof, and high ability to resist salt, acid, alkali, alcohol, grease and general solvent.



Model	Thread Size	Cable Range (mm)	Thread O. D. L2 (mm)	Thread Length L1 (mm)	Spanner Size (mm)
PG7-M	PG7	3~6.5	12.5	5	14
PG7-M	PG7	2~5	12.5	5	14
PG9-M	PG9	5~9	15.2	6	17
PG9-M	PG9	2~6	15.2	6	17
PG11-M	PG11	6.5~11	18.6	6	20
PG11-M	PG11	3~7	18.6	6	20
PG13.5-M	PG13.5	7~13	20.4	6.5	22
PG13.5-M	PG13.5	5~9	20.4	6.5	22
PG16-M	PG16	9~14	22.5	6.5	24
PG16-M	PG16	6~12	22.5	6.5	24
PG21-M	PG21	11~18	28.3	7	30
PG21-M	PG21	9~16	28.3	7	30
PG29-M	PG29	18~26	37	8	40
PG29-M	PG29	13~20	37	8	40
PG36-M	PG36	24~33	47	9	50
PG36-M	PG36	20~26	47	9	50
PG42-M	PG42	30~39	54	10	58
PG42-M	PG42	25~31	54	10	58
PG48-M	PG48	34~45	59.3	10	63
PG48-M	PG48	29~35	59.3	10	63

Metallic cable gland PG-LM/M-M type



Metallic cable gland PG-LM type

Model	Thread Size	Cable Range (mm)	Thread O. D. L2 (mm)	Thread Length L1 (mm)	Spanner Size (mm)
PG7-LM	PG7	3~6.5	12.5	10	14
PG7-LM	PG7	2~5	12.5	10	14
PG9-LM	PG9	5~9	15.2	10	17
PG9-LM	PG9	2~6	15.2	10	17
PG11-LM	PG11	6.5~11	18.6	10	20
PG11-LM	PG11	3~7	18.6	10	20
PG13.5-LM	PG13.5	6~13	20.4	10	22
PG13.5-LM	PG13.5	5~9	20.4	10	22
PG16-LM	PG16	10~14	22.5	10	24
PG16-LM	PG16	6~12	22.5	10	24
PG21-LM	PG21	11~18	28.3	12	30
PG21-LM	PG21	9~16	28.3	12	30
PG29-LM	PG29	18~26	37	12	40
PG29-LM	PG29	13~20	37	12	40
PG36-LM	PG36	22~33	47	15	50
PG36-LM	PG36	20~26	47	15	50
PG42-LM	PG42	30~39	54	15	58
PG42-LM	PG42	25~31	54	15	58
PG48-LM	PG48	34~45	59.3	15	63
PG48-LM	PG48	29~35	59.3	15	63

Metallic cable gland M-M type

Model	Thread Size	Cable Range (mm)	Thread O. D. L2 (mm)	Thread Length L1 (mm)	Spanner Size (mm)
M12-M	M12x1.5	3~6.5	12	5	14
M14-M	M14x1.5	3~6.5	14	6	17
M16-M	M16x1.5	5~9	16	6	17
M18-M	M18x1.5	6.5~11	18	6	20
M20-M	M20x1.5	7~13	20	6	22
M22-M	M22x1.5	9~14	22	6	24
M24-M	M24x1.5	9~14	24	7	30
M25-M	M25x1.5	9~14	25	7	30
M27-M	M27x1.5(2)	11~18	27	7	30
M30-M	M30x1.5(2)	11~18	30	7	37
M32-M	M32x1.5(2)	15~22	32	8	37
M33-M	M33x1.5(2)	15~22	33	8	37
M36-M	M36x1.5(2)	18~26	36	8	42
M40-M	M40x1.5(2)	18~26	40	8	46
M42-M	M42x1.5(2)	18~26	42	9	46
M48-M	M48x1.5(2)	24~33	48	9	52
M50-M	M50x1.5(2)	30~38	50	9	60
M54-M	M54x1.5(2)	30~38	54	9	60
M60-M	M60x1.5(2)	34~45	60	9	70
M63-M	M63x1.5(2)	34~45	63	10	70
M64-M	M64x1.5(2)	34~45	64	10	70

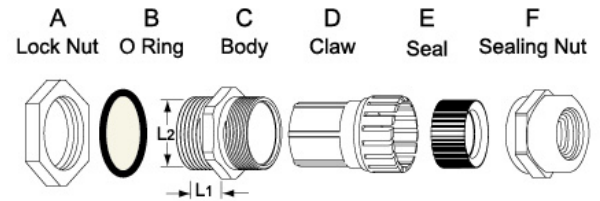


Material: Parts A, C, F are made of brass plated with nickel, part D is made of UL approved nylon PA66, parts B and E are made of nitrile butadiene rubber (NBR).

Thread spec.: Metric, PG, G, NPT.

Working temperature: -40 °C to 100 °C, instantaneous heat resistance up to 120 °C.

Characteristics: Special design of clamping die and rubber part, large range in clamping the cable, ultrastrong stretching resistance, waterproof, dustproof, and high ability to resist salt, acid, alkali, alcohol, grease and general solvent.



Model	Thread Size	Cable Range (mm)	Thread O. D. L2 (mm)	Thread Length L1 (mm)	Spanner Size (mm)
M12-LM	M12x1.5	3~6.5	12	10	14
M14-LM	M14x1.5	3~6.5	14	10	17
M16-LM	M16x1.5	5~9	16	10	17
M18-LM	M18x1.5	6.5~11	18	10	20
M20-LM	M20x1.5	7~13	20	10	22
M22-LM	M22x1.5	9~14	22	10	24
M24-LM	M24x1.5	9~14	24	11	30
M25-LM	M25x1.5	9~14	25	12	30
M27-LM	M27x1.5(2)	11~18	27	12	30
M30-LM	M30x1.5(2)	11~18	30	14	37
M32-LM	M32x1.5(2)	15~22	32	14	37
M33-LM	M33x1.5(2)	15~22	33	14	37
M36-LM	M36x1.5(2)	18~26	36	14	42
M40-LM	M40x1.5(2)	18~26	40	15	46
M42-LM	M42x1.5(2)	18~26	42	15	46
M48-LM	M48x1.5(2)	24~33	48	15	52
M50-LM	M50x1.5(2)	30~38	50	15	60
M54-LM	M54x1.5(2)	30~38	54	15	60
M60-LM	M60x1.5(2)	34~45	60	15	70
M63-LM	M63x1.5(2)	34~45	63	15	70
M64-LM	M64x1.5(2)	34~45	64	15	70

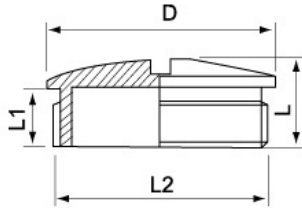


Metallic cable gland NPT-M type

Model	Thread Size	Cable Range (mm)	Thread O. D. L2 (mm)	Thread Length L1 (mm)	Spanner Size (mm)
NPT3/8" -M	NPT3/8"	4~8	17.1	13	18
NPT3/8" -M	NPT3/8"	2~6	17.1	13	18
NPT1/2" -M	NPT1/2"	6~12	21.3	13	22
NPT1/2" -M	NPT1/2"	5~9	21.3	13	22
NPT3/4" -M	NPT3/4"	13~18	26.6	15	30
NPT3/4" -M	NPT3/4"	9~16	26.6	15	30
NPT1" -M	NPT1"	18~25	33.5	16	40
NPT1" -M	NPT1"	13~20	33.5	16	40
NPT1" -M	NPT1 1/4"	22~33	42	18	50
NPT1" -M	NPT1 1/4"	18~25	42	18	50
NPT1" -M	NPT1 1/2"	32~38	48	18	57
NPT1" -M	NPT1 1/2"	20~26	48	18	57

Metallic cable gland PG-MA type

Model	Thread Size	Cable Range (mm)	Thread O. D. L2 (mm)	Thread Length L1 (mm)	Spanner Size (mm)
PG7-MA	PG7	3~6.5	12.5	6	14
PG7-MA	PG7	2~5	12.5	6	14
PG9-MA	PG9	4~8	15.2	7	18
PG9-MA	PG9	2~6	15.2	7	18
PG11-MA	PG11	5~10	18.6	7	20
PG11-MA	PG11	3~7	18.6	7	20
PG13.5-MA	PG13.5	6~12	20.4	7.5	22
PG13.5-MA	PG13.5	5~9	20.4	7.5	22
PG16-MA	PG16	10~14	22.5	7.5	24
PG16-MA	PG16	6~12	22.5	7.5	24
PG21-MA	PG21	13~18	28.3	8	30
PG21-MA	PG21	9~16	28.3	8	30
PG29-MA	PG29	18~25	37	9	40
PG29-MA	PG29	13~20	37	9	40
PG36-MA	PG36	22~33	47	9	50
PG36-MA	PG36	20~26	47	9	50
PG42-MA	PG42	32~38	54	10	57
PG42-MA	PG42	25~31	54	10	57
PG48-MA	PG48	37~44	59.3	11	64
PG48-MA	PG48	29~35	59.3	11	64



Material: Made of brass plated with nickel.

O-sealing element: Made of nitrile butadiene rubber (NBR).

Working temperature: -40 °C to 100 °C.

Metallic threaded plug PG-TM type

Model	Thread Size	Thread O. D. L2 (mm)	Thread Length L1 (mm)	Main body Dimensions L (mm)	Cover Dimensions D (mm)
PG7-TM	PG7	12.5	5	8	14
PG9-TM	PG9	15.2	6	9	17
PG11-TM	PG11	18.6	6	9	20
PG13.5-TM	PG13.5	20.4	6.5	9.5	22
PG16-TM	PG16	22.5	6.5	9.5	24
PG21-TM	PG21	28.3	7	11	30
PG29-TM	PG29	37	8	12	39
PG36-TM	PG36	47	9	15	50
PG42-TM	PG42	54	10	16	57
PG48-TM	PG48	59.3	10	16	64

Metallic threaded plug M-TM type

Model	Thread Size	Thread O. D. L2 (mm)	Thread Length L1 (mm)	Main body Dimensions L (mm)	Cover Dimensions D (mm)
M12-TM	M12x1.5	12	5	8	114
M16-TM	M16x1.5	16	6	9	18
M18-TM	M18x1.5	18	6	9	20
M20-TM	M20x1.5	20	6.5	9.5	22
M22-TM	M22x1.5	22	6.5	9.5	24
M25-TM	M25x1.5	25	7	11	28
M32-TM	M32x1.5	32	8	12	35
M40-TM	M40x1.5	40	9	15	44
M50-TM	M50x1.5	50	10	16	54
M63-TM	M63x1.5	63	10	16	70